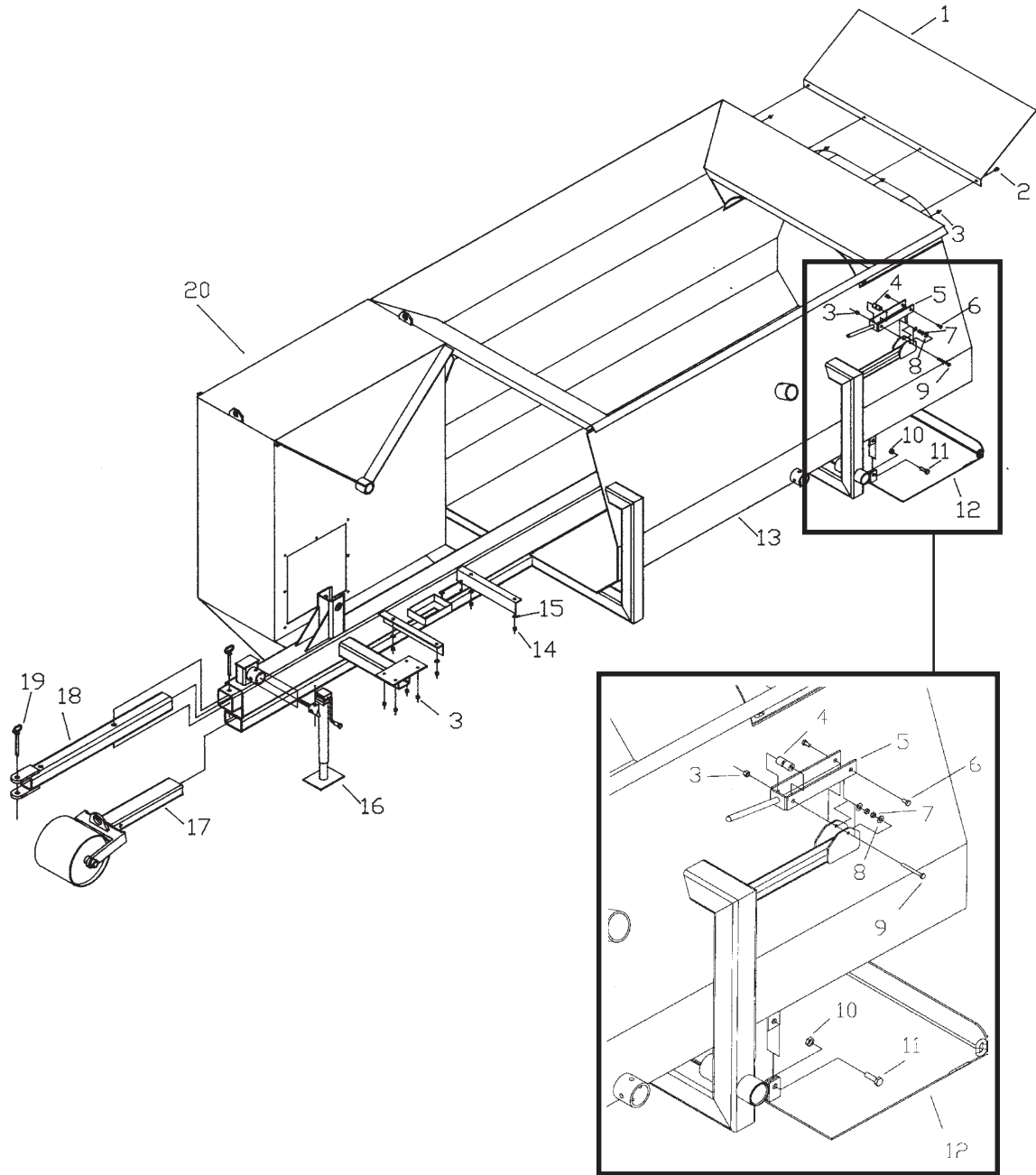


TABLE OF CONTENTS

FRAME GROUP	PM-2
WHEEL GROUP	PM-4
BRAKE HYDRAULIC GROUP	PM-6
PIPE REEL GROUP	PM-8
BAG ACCESSORY GROUP	PM-10
BLOWER GROUP	PM-12
BLOWER ELECTRONICS GROUP	PM-14
ELECTRICAL GROUP	PM-16
RAM HYDRAULIC GROUP	PM-18
SPRAYER GROUP	PM-20
DECAL GROUP	PM-22

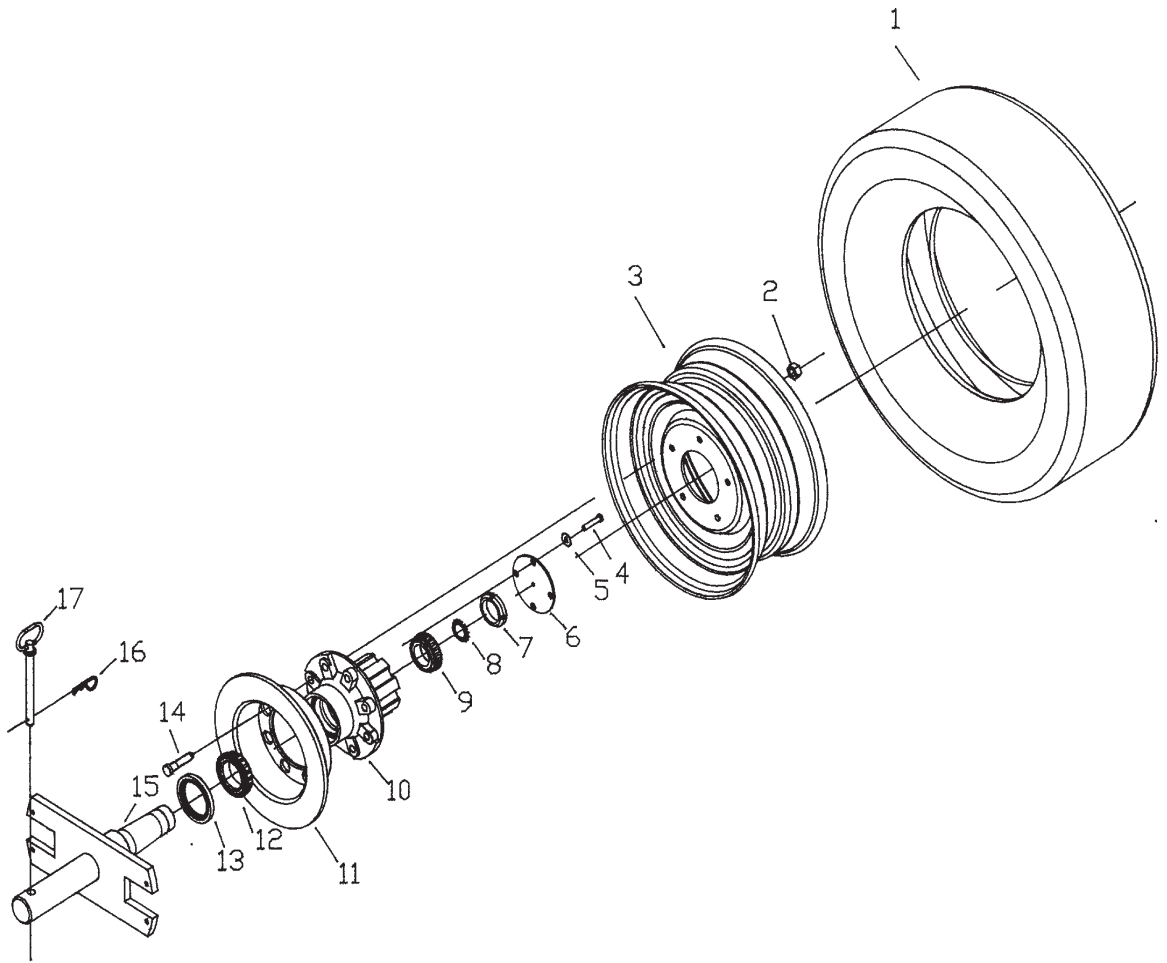
FRAME GROUP



FRAME GROUP

KEY	PART NO.	PART NAME	QTY	REMARKS
1	1580085	EXTENSION, HOPPER	1	TUNNEL END BOLT ON
2	1550063	CAP SCREW, HEX HEAD	5	3/8-16 NC X 3-1/2 G5
3	1550147	NUT, HEX	8	3/8-16 NC NYLOC
4	1580110	SPACER	2	BAG PAN CRANK HANDLE
5	1580111	CRANK, LEVER	2	BAG PAN LIFT
6	1550058	CAP SCREW, HEX HEAD	2	3/8-16 NC X 1-1/2 G5
7	1550206	WASHER, FLAT	6	3/8
8	1550303	NUT, HEX	2	3/8-16 NC NYLOC JAM
9	1550063	CAP SCREW, HEX HEAD	2	3/8-16 NC X 3-1/2 G5
10	1550148	NUT, HEX	2	5/8-11 NC NYLOC
11	1550315	CAP SCREW, HEX HEAD	2	5/8-11 NC X 2 G5
12	1580112	BAG PAN	1	
13	1580113	FRAME	1	
14	1550145	NUT, HEX	4	1/2-13 NC NYLOC
15	1550202	WASHER, FLAT	4	1/2
16	1500192	JACK	1	MANUAL 7000LB. W/MOUNT
17	5802084	GAUGE WHEEL	1	
18	1580114	TOW HITCH	1	
19	1550172	PIN, HITCH	2	5/8 X 6-1/2
20	1580115	CONTAINER, PIPE REEL	1	

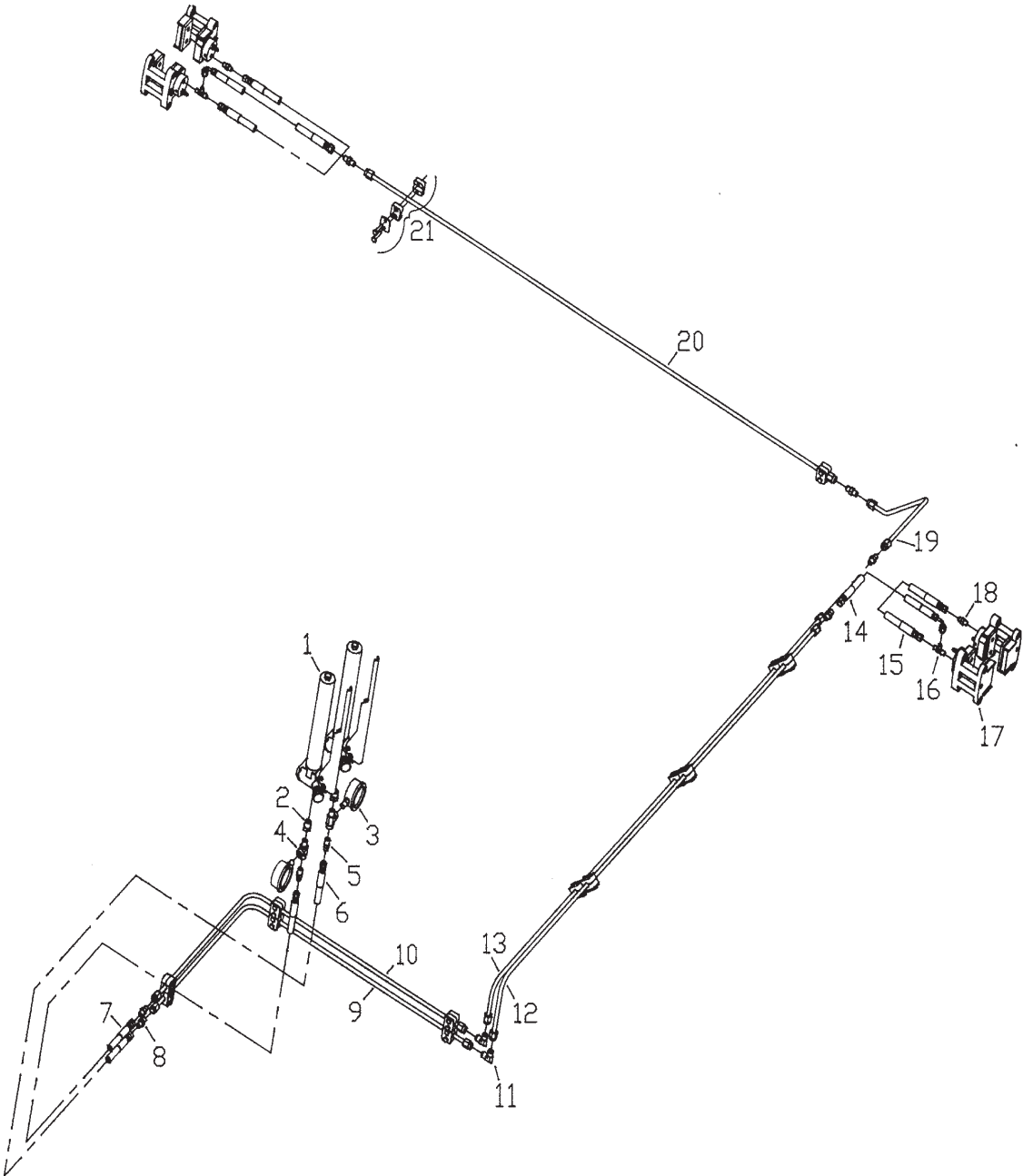
WHEEL GROUP



WHEEL GROUP

KEY	PART NO.	PART NAME	QTY	REMARKS
1	1501173	TIRE	2	LT950-16.5 TRACTION KING
2	1550125	NUT, HEX	16	5/8-11 NC
3	1500330	RIM	2	16.5 X 6.75 8-LUG
4	1550060	CAP SCREW , HEX HEAD	8	3/8-16 NC X 2 G5
5	1550206	WASHER, FLAT	8	3/8
6	1010012	COVER, WHEEL HUB	2	3/4 TON
7	1550138	NUT, LOCK	2	N10
8	1550230	WASHER, LOCK EXTERNAL TOOTH	2	W10
9	1510092	BEARING, ROLLER CONE	2	LM104949
10	1500176	HUB, WHEEL	2	C9TZ-1109-U FORD
11	1010060	DISC, BRAKE	2	
12	1510087	BEARING, ROLLER CONE	2	387A
13	1500367	SEAL, OIL	2	417159
14	1550295	STUD, WHEEL	16	9/16 X 1-15/16
15	1580116	SPINDLE	2	1 TON W/BRAKE MOUNT
16	1550169	PIN, HAIR	2	5/32 X 2-5/16
17	1150171	PIN, HITCH	2	5/8 X 4-3/4

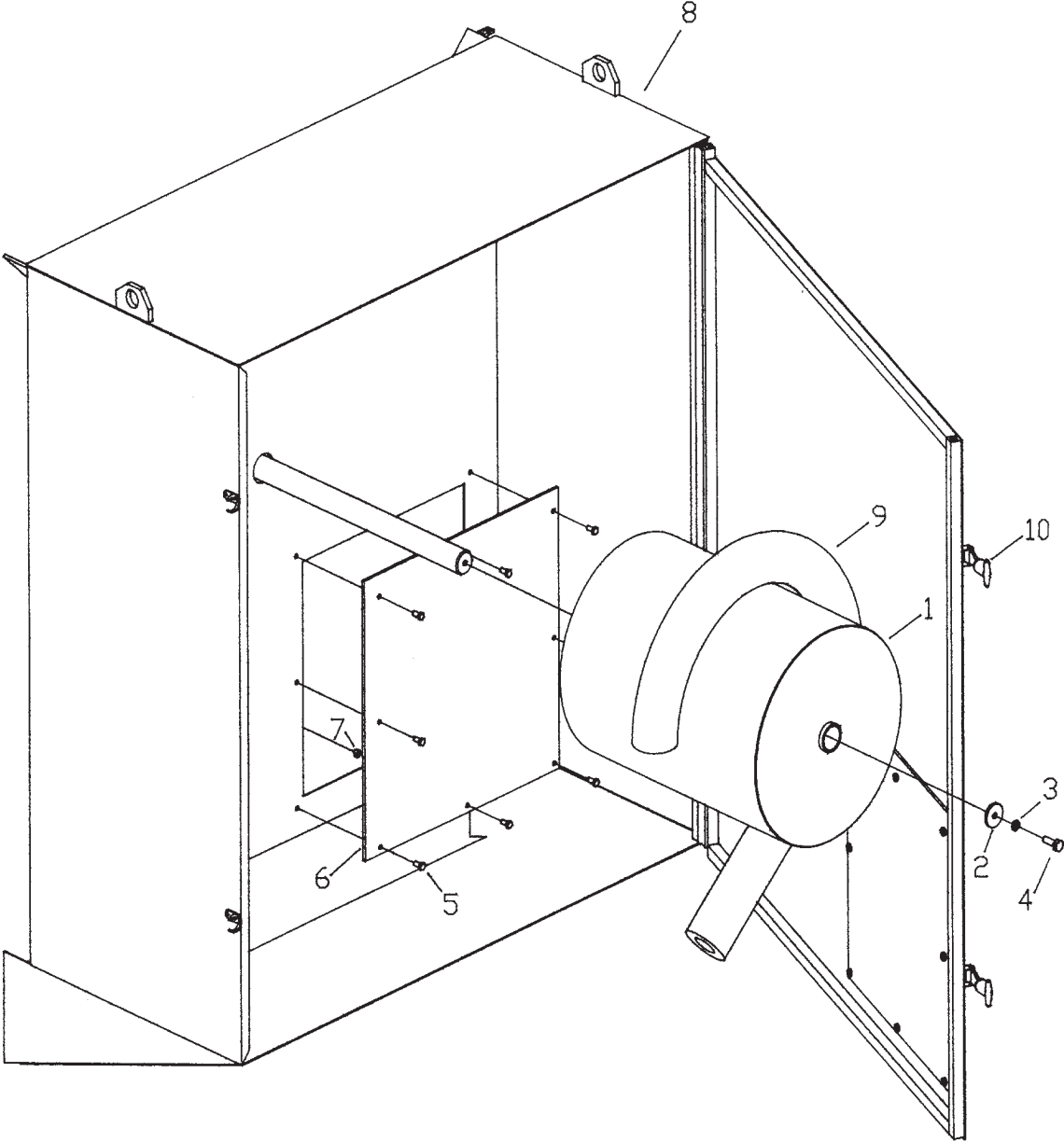
BRAKE HYDRAULIC GROUP



BRAKE HYDRAULIC GROUP

KEY	PART NO.	PART NAME	QTY	REMARKS
1	1541231	PUMP, HAND	2	P12 PRESET 2000 PSI.
2	1540397	FITTING, HYDRAULIC	2	C3109 X 6 X 4
3	1500142	GAUGE, LIQUID SILL 2000 PSI SIDE MOUNT	2	
4	1540481	FITTING, HYDRAULIC	2	C3759 X 4
5	1540507	FITTING, HYDRAULIC	2	C5205 X 4 X 4
6	1580141	HOSE ASSEMBLY	1	42504U-606604-04000
7	1580142	HOSE ASSEMBLY	1	42504U-664606-01200
8	1540545	FITTING, HYDRAULIC		C5305 X 6
9	1580143	HARDLINE ASSEMBLY	1	FRONT LEFT BRAKE
	1541070	TUBING, HYDRAULIC	1	3/8"
	1540216	FITTING, NUT	2	FC-2875-6
	1540223	FITTING, SLEEVE	2	FF-9605-6
10	1580144	HARDLINE ASSEMBLY	1	FRONT RIGHT BRAKE
	1541070	TUBING, HYDRAULIC	1	3/8"
	1540216	FITTING, NUT	2	FC-2875-6
	1540223	FITTING, SLEEVE	2	FF-9605-6
11	1540679	FITTING, HYDRAULIC	2	C5505 X 6
12	1580145	HARDLINE ASSEMBLY	1	SIDE RIGHT BRAKE
	1541070	TUBING, HYDRAULIC	1	3/8"
	1540216	FITTING, NUT	2	FC-2875-6
	1540223	FITTING, SLEEVE	2	FF-9605-6
13	1580146	HARDLINE ASSEMBLY	1	SIDE LEFT BRAKE
	1541070	TUBING, HYDRAULIC	1	3/8"
	1540216	FITTING, NUT	2	FC-2875-6
	1540223	FITTING, SLEEVE	2	FF-9605-6
14	1580147	HOSE ASSEMBLY	1	42504U-606664-00800
15	1580148	HOSE ASSEMBLY	2	42504U-604604-02000
16	1540733	FITTING, HYDRAULIC	2	C5755 X 4
17	1501016	BRAKE, MICO	4	02515025
18	1540506	FITTING, HYDRAULIC	2	C5205 X 4
19	1580149	HARDLINE ASSEMBLY	1	SHORT HARDLINE, LEFT BRAKE
	1541070	TUBING, HYDRAULIC	1	3/8"
	1540216	FITTING, NUT	2	FC-2875-6
	1540223	FITTING, SLEEVE	2	FF-9605-6
20	1580150	HARDLINE ASSEMBLY	1	CROSSOVER, LEFT BRAKE
	1541070	TUBING, HYDRAULIC	1	3/8"
	1540216	FITTING, NUT	2	FC-2875-6
	1540223	FITTING, SLEEVE	2	FF-9605-6
21	1541250	CLAMP, HYDRAULIC TUBE	8	3/8" SINGLE T

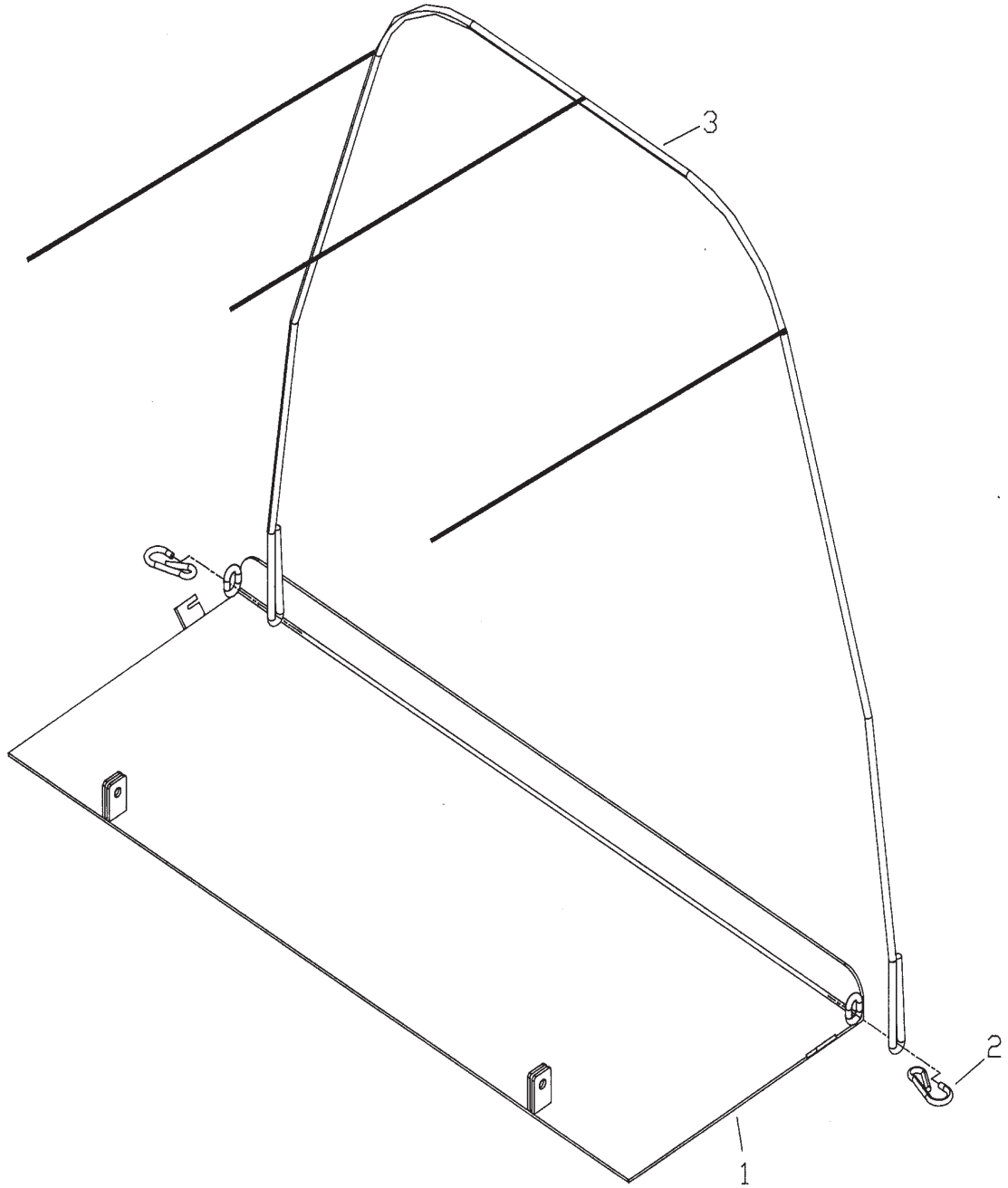
PIPE REEL GROUP



PIPE REEL GROUP

KEY	PART NO.	PART NAME	QTY	REMARKS
1	1580118	DRUM	1	COMPOST PIPE REEL
2	1580117	WASHER	1	PIPE REEL
3	1550213	WASHER, SPLIT LOCK	1	1/2
4	1550017	CAP SCREW, HEX HEAD	1	1/2-13 NC X 1-1/2 G5
5	1550027	CAP SCREW, HEX HEAD	8	1/4-20 NC X 1 G5
6	1501187	PLEXIGLAS	1	24" X 24" X 1/4"
7	1550127	NUT, HEX	8	1/4-20 NC LOCK
8	1580115	CONTAINER, COMPOST PIPE REEL	1	
9	REF.	PIPE, POLY	REF.	

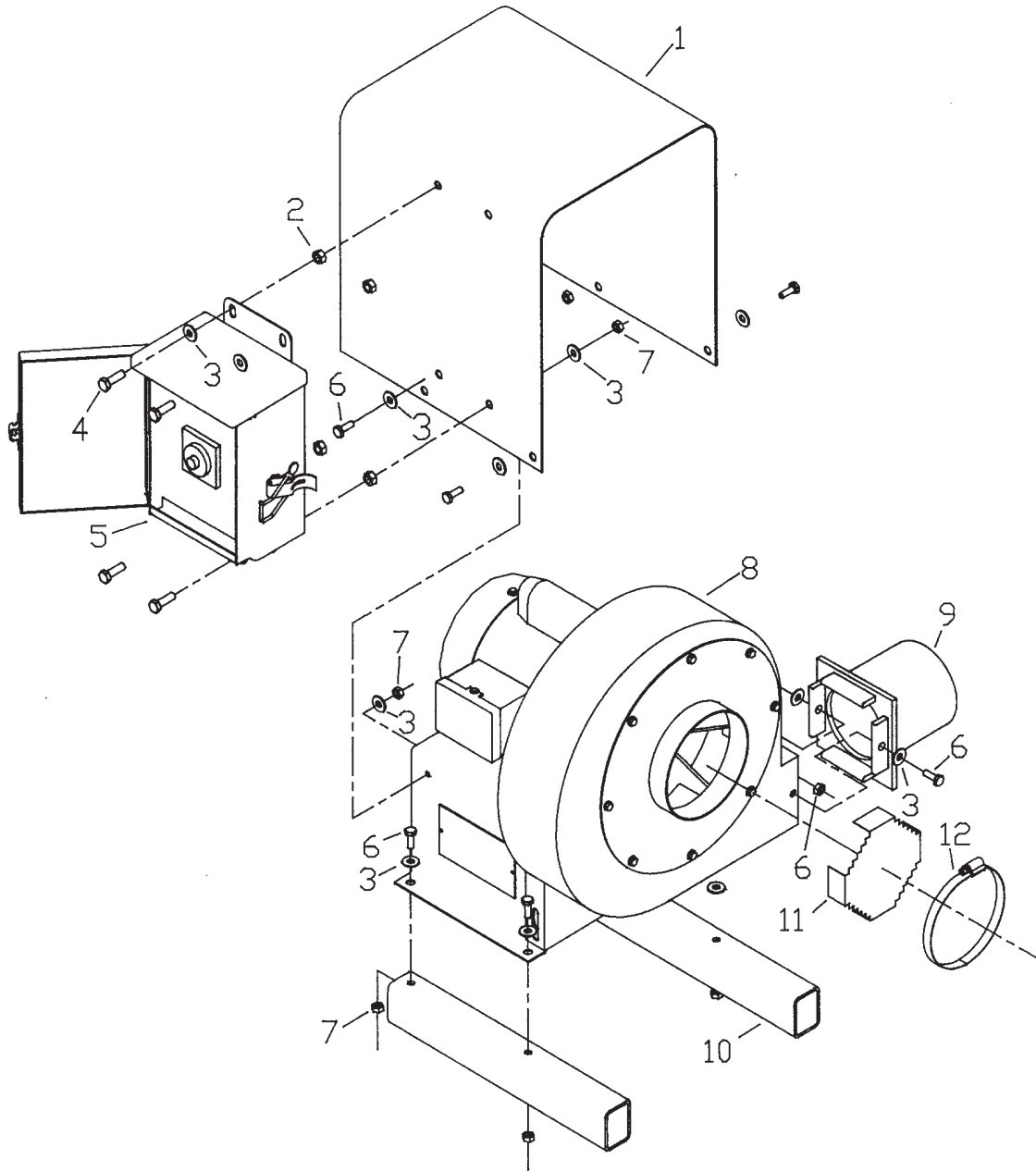
BAG ACCESSORY GROUP



BAG ACCESSORY GROUP

<i>KEY</i>	<i>PART NO.</i>	<i>PART NAME</i>	<i>QTY</i>	<i>REMARKS</i>
1	1580112	PAN, BAG	1	
2	1550323	CLAMP, SPRING	2	1/2"
3	1560014	BUNGEE CORD	1	136"

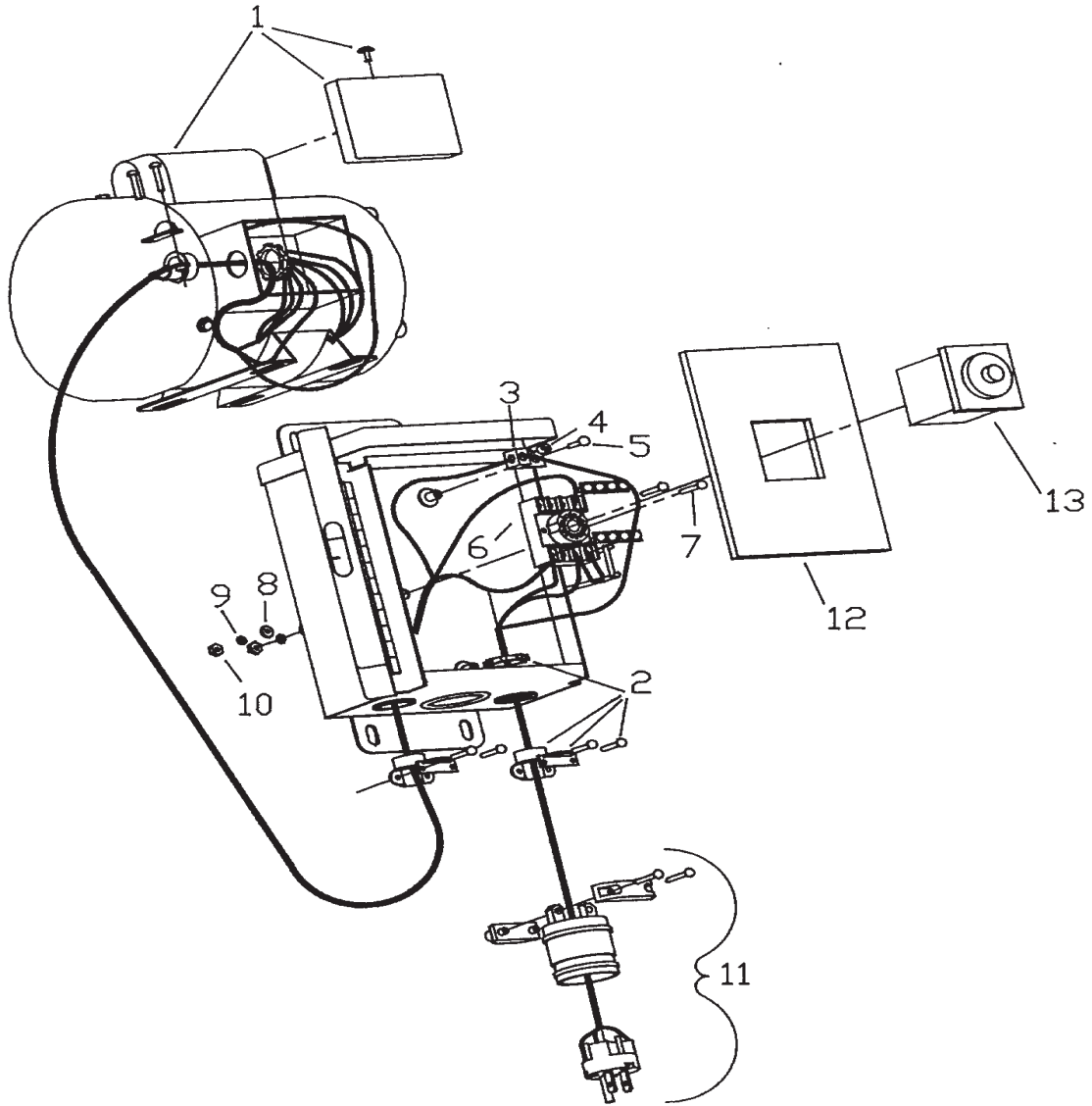
BLOWER GROUP



BLOWER GROUP

KEY	PART NO.	PART NAME	QTY	REMARKS
1	1580136	ENCLOSURE, BLOWER TOP	1	
2	1550319	NUT, HEX	4	7/16-14 NC
3	1550210	WASHER, FLAT	14	7/16"
4	1550093	CAP SCREW, HEX HEAD	4	7/16-14 NC X 1-1/2 G5
5	1580137	COVER, TIMER	1	3A913
6	1550095	CAP SCREW, HEX HEAD	2	7/16-14 NC X 3/4 G5
7	1550149	NUT, HEX	4	7/16-14 NC NYLOC
8	1580138	BLOWER	1	
9	1580139	EXHAUST ASSEMBLY, BLOWER	1	
10	1580140	LEG, BLOWER	2	
11	1580025	SCREEN, BLOWER INTAKE	1	
12	1501008	CLAMP, HOSE	1	5" STAINLESS

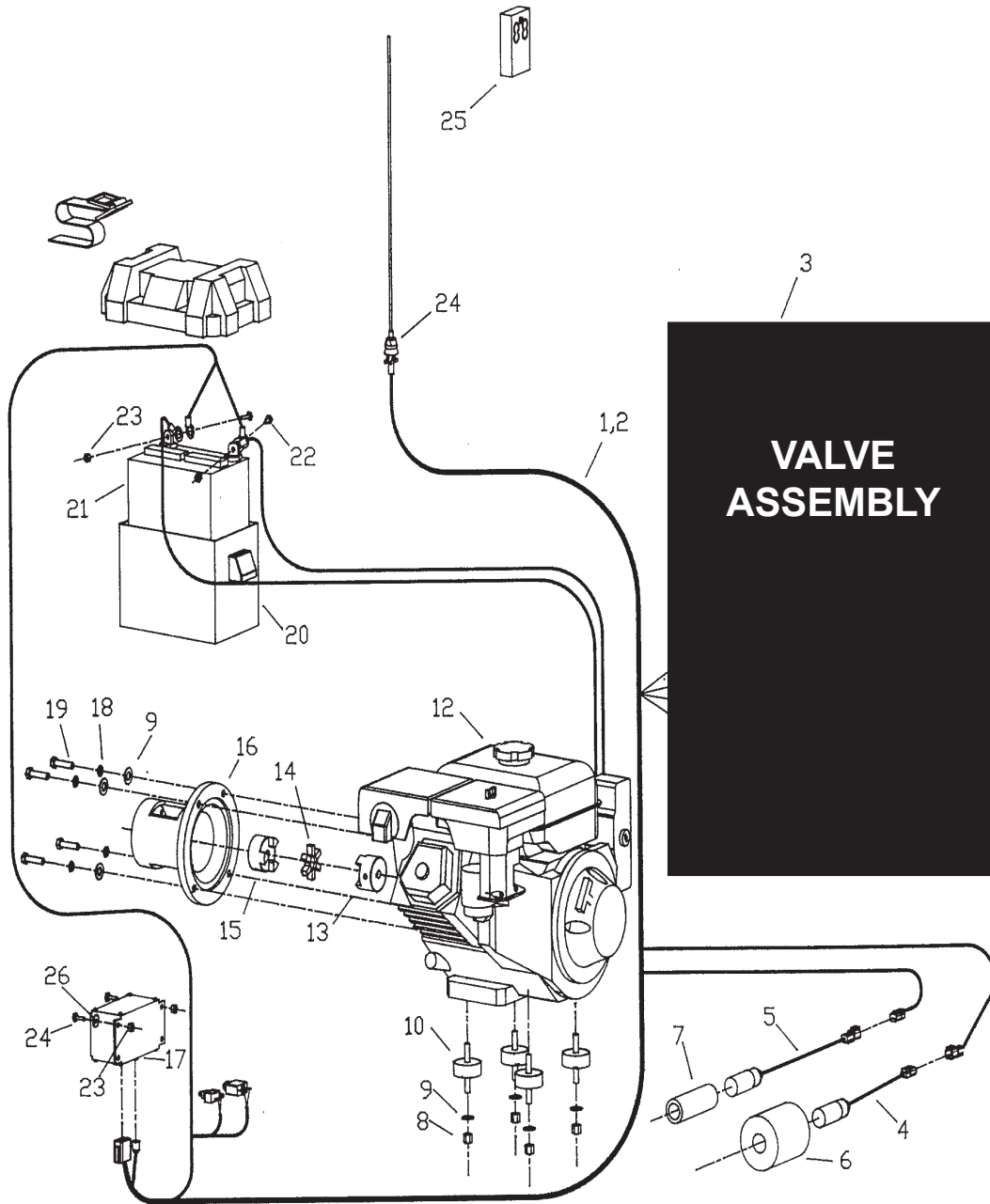
BLOWER ELECTRONICS GROUP



BLOWER ELECTRONICS GROUP

KEY	PART NO.	PART NAME	QTY	REMARKS
1	1580087	BLOWER, MOTOR	1	1/3 HP 7C483
2	1580122	CONNECTOR, WIRE	3	1/2"
3	1580123	CLAMP, GROUND	1	1/4"
4	1580124	SET SCREW, FLAT HEAD	1	5/16" X 3/8"
5	1580125	MACHINE SCREW, ROUND HEAD	1	1/8" X 1/2"
6	1580090	SOCKET, RELAY - OCTAL	1	5X582
7	1580127	MACHINE SCREW, ROUND HEAD	2	1/8" X 1-1/2"
8	1580128	WASHER, FLAT	2	1/8"
9	1580129	WASHER, LOCK	2	1/8"
10	1580130	NUT, HEX	2	1/8"
11	1580029	CONNECTOR, ELECTRICAL	1	MALE 5Z867
12	1580131	SHIELD, UHMW	1	TIMER
13	1580089	TIMER DELAY RELAY, REPEAT CYCLE	1	2A179

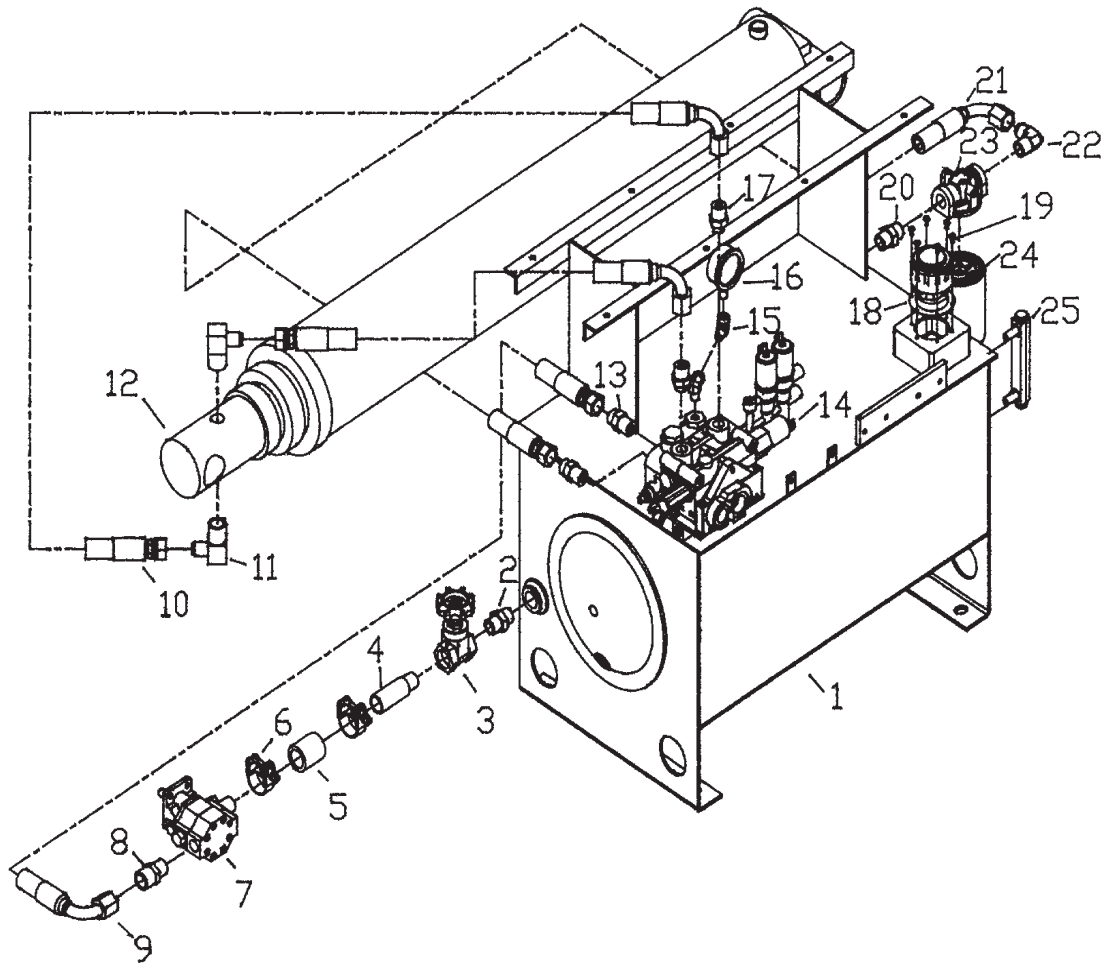
ELECTRICAL GROUP



ELECTRICAL GROUP

KEY	PART NO.	PART NAME	QTY	REMARKS
1	1501303	HARNESS, W/ANTENNA	1	WIRE CT-5 (COMPLETE)
2	1501290	HARNESS, WIRE	1	
3	REF.	VALVE ASSEMBLY	1	
	1541746	VALVE, ALUMINUM MANIFOLD CT-5	1	
	1541797	VALVE, RELIEF CARTRIDGE	1	
	1541798	VALVE, SOL. 2 WAY 2 POS.	1	
	1541799	VALVE, SOL. 4 WAY 2 POS	1	
	1541800	COIL, SOL. VALVE	1	
	1541801	COIL, SOL. VALVE	1	
4	1501292	SENSOR W/PLUG, PROXIMITY MALE	1	REVERSE
5	1501291	SENSOR W/PLUG, PROXIMITY FEMALE	1	FORWARD
6	1580119	SOCKET, REMOTE CONTROL SENSOR	1	3"
7	1100021	SOCKET, REMOTE CONTROL SENSOR	2	UHMW
8	1550147	NUT, HEX	4	3/8-16 NC NYLOC
9	1550206	WASHER, FLAT	4	3/8
10	1500918	ISOLATOR	4	3CC07 I HP - ENGINE
11	1550205	WASHER, FLAT	2	3/4
12	1501337	ENGINE, HONDA	1	13 HP 10 AMP
12a	1500970	ENGINE, DIESEL AIR COOLED	1	6/9/10 HP
13	1501274	COUPLING, HALF	1	1"
14	1501276	INSERT	1	
15	1501275	COUPLING, HALF	1	5/8"
16	1501273	ADAPTER, PUMP	1	
17	1501607	REMOTE CONTROL	1	ASYS-1928-53
18	1550217	WASHER, SPLIT LOCK	4	3/8
19	1550058	CAP SCREW, HEX HEAD	4	3/8-16 NC X 1-1/2 G5
20	1500041	BOX, BATTERY W/LID	1	
21	1500012	BATTERY	1	12 VOLT
22	1550033	CAP SCREW, HEX HEAD	4	1/4-20 NC X 3/4 G5
23	1550110	NUT, HEX	4	1/4-20 NC
24	1501287	ANTENNA, REMOTE CONTROL - RIGID	1	
25	1501286	REMOTE CONTROL, HAND UNIT	1	

RAM HYDRAULIC GROUP

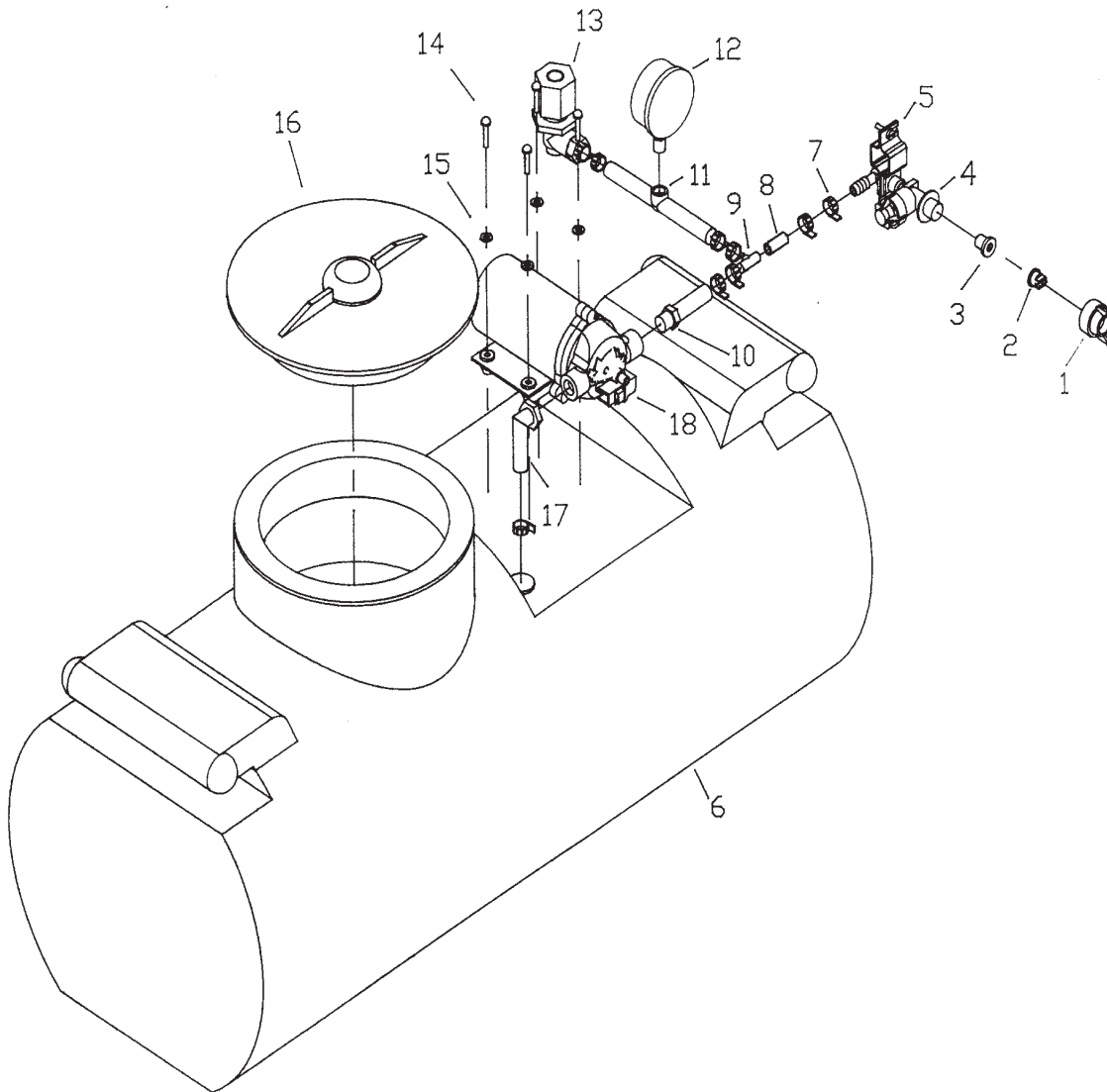


RAM HYDRAULIC GROUP

KEY	PART NO.	PART NAME	QTY	REMARKS
1	1541509	TANK, HYD T-20 W/BREATHER AND SITE GAUGE	1	
2	1540373	FITTING, HYDRAULIC	1	C3069 X 12
3	1541454	VALVE, GATE	1	1-1/4"
4	1540961	NIPPLE, KING	1	1-1/4"
5	1540857	HOSE, HYDRAULIC	1	H10420
6	1540049	CLAMP, T-BOLT	2	1-1/2"
7	1541001	PUMP, HYDRAULIC	1	4F663 BARNES
8	1540496	FITTING, HYDRAULIC	1	C5205 X 12 X 16
9	1580132	HOSE ASSEMBLY	1	42512U-672612-04800
10	1580133	HOSE ASSEMBLY	1	42512U-672612-03900
11	1541456	FITTING, HYDRAULIC	2	TF5405 X 12 X 16
12	1541379	CYLINDER, TELESCOPIC	1	20676-63-120
13	1540553	FITTING, HYDRAULIC	2	C5315 X 12
14	1541515	VALVE, V20 SINGLE BANK W/SOLENOID	1	
15	1540456	FITTING, HYDRAULIC	2	C3409 X 4
16	1500142	GAUGE, LIQUID SILL 2000 PSI SIDE MOUNT	1	
17	1540554	FITTING, HYDRAULIC	2	C5315 X 12 X 10
18	1500056	CAP ASSEMBLY, OIL AND AIR FILLER	1	
19	1550320	SCREW, PHILLIPS PAN HEAD TYP F THREAD CUTTING	6	1/2" X 10-24
20	1540373	FITTING, HYDRAULIC	1	C3069 X 12
21	1580134	HOSE ASSEMBLY	1	42512U-672612-04600
22	1540638	FITTING, HYDRAULIC	1	C5405 X 12
23	1540166	BASE, FILTER	1	FPC3012NXAR4X
24	1540167	FILTER, HYDRAULIC OIL	1	FPE 30-25N
25	1500156	GAUGE, SIGHT LEVEL TEMPERATURE	1	T550-5
26	1580135	HOSE, ASSEMBLY	1	42512U-672612-03000

See electrical group for current valve components

SPRAYER GROUP



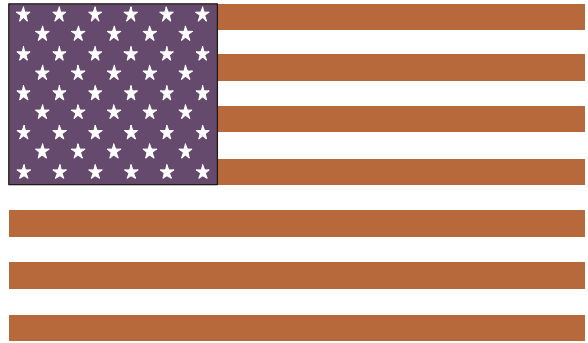
SPRAYER GROUP

KEY	PART NO.	PART NAME	QTY	REMARKS
1	1501357	CAP, SPRAYER NOZZLE-RED	1	
2	1501079	TIP, FLOOD JET X R8002	1	
3	1500488	SPRAYER FILTER	1	
4	1500293	NOZZLE BODY W/STRAINER	1	
5	1540046	SPRAYER CLAMP	1	2-1/2"
6	1501358	TANK, 27 GALLON SPRAYER	1	
7	1540030	CLAMP, HOSE	8	#04
8	1540844	HOSE, CLEAR BRAIDED	1	3/8"
9	1501359	CONNECTOR, DRAINAGE	1	
10	1501360	CONNECTOR, PUMP OUTLET HOSE	1	
11	1501361	CONNECTOR, SPRAYER PRESSURE GAUGE	1	
12	1501362	GAUGE, SPRAYER PRESSURE	1	160 PSI
13	1501363	DRAIN PLUG NOZZLE	1	
14	1550322	SCREW, SLOTTED ROUND HEAD	4	10-32 X 1"
15	1550321	WASHER, FLAT	4	3/16"
16	1501364	LID	1	8"
17	1501365	CONNECTOR, DRAIN PLUG HOSE	1	
18	1541006	PUMP, SPRAYER	1	#6801-022 SPOTLYTE

DECAL GROUP

WARNING
PRECAUCION

1. DO NOT reach
2. DO NOT attempt
3. DO NOT climb
4. Make sure everyone is clear
5. DO NOT stand
6. STAY CLEAR
7. Keep all SHIELDS IN PLACE
8. Keep HANDS, FEET AWAY
9. THINK SAFETY



AG-BAG

SEALED FEED STORAGE
AND FORAGE SYSTEMS

AG-BAG INTERNATIONAL

HYDRAULIC
OIL
ONLY

CHECK
LUG NUTS
REGULARLY

AG-BAG INTERNATIONAL
SPECIALIZED PRODUCTS

SERIAL NO. _____

WARNING

It is YOUR RESPONSIBILITY

CAUTION

MAXIMUM
TOWING
SPEED

25
M.P.H.

DECAL GROUP

<i>KEY</i>	<i>PART NO.</i>	<i>PART NAME</i>	<i>QTY</i>	<i>REMARKS</i>
1	1530068	DECAL, WARNING ENGLISH/SPANISH	1	
2	1530067	DECAL, U.S. FLAG	1	
3	1530004	DECAL, AG-BAG LOGO	1	
4	1530028	DECAL, HYDRAULIC OIL ONLY	1	
5	1530011	DECAL, LUG NUTS	2	
6	1530075	SERIAL NO. PLATE, SPECIALIZED AG-INTL	1	
7	1530069	DECAL, WARNING RESPONSIBLY	1	
8	1530041	DECAL, TOWING SPEED	1	