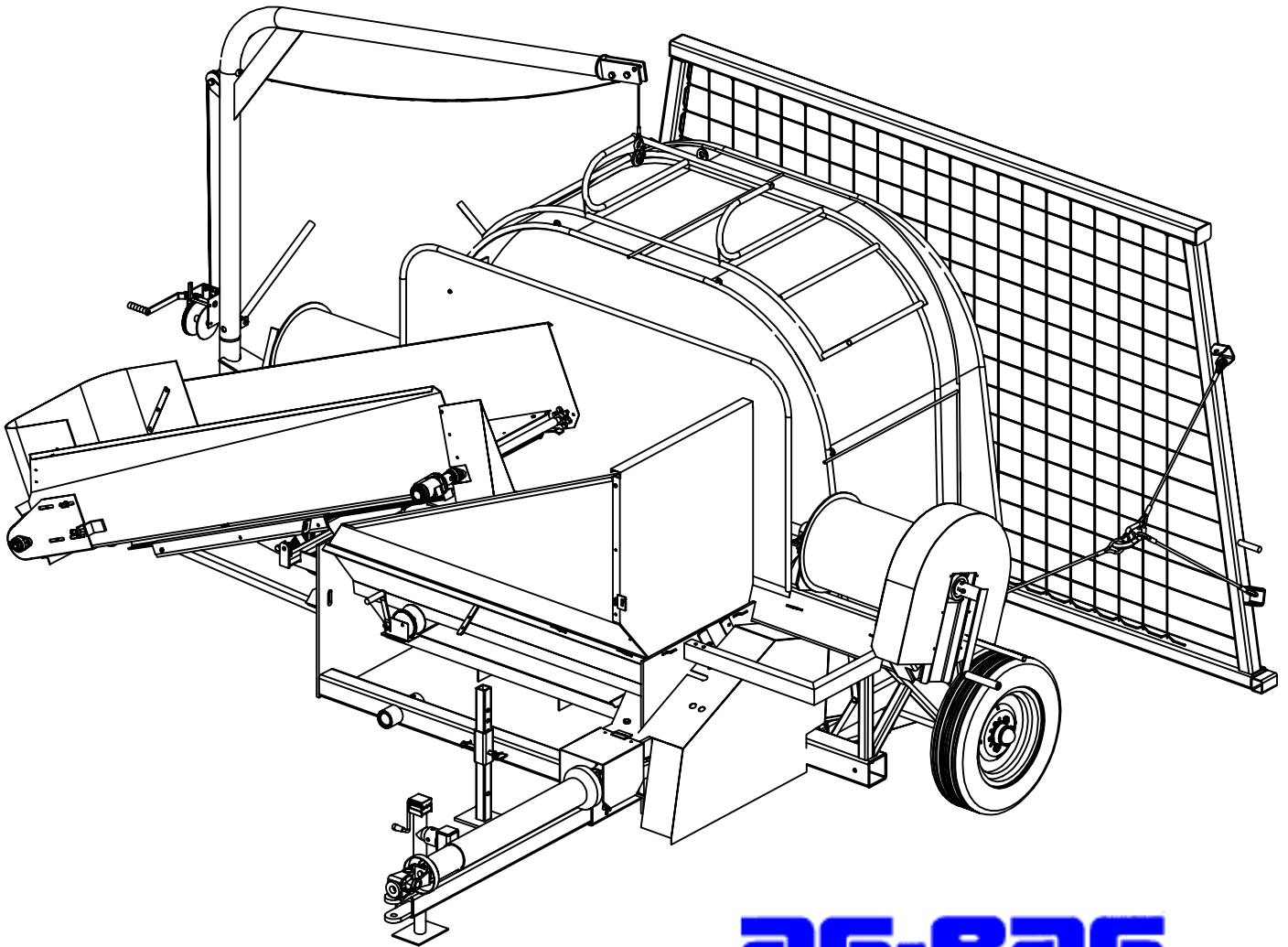




AG-BAGGER PART'S MANUAL

MODELS G-6000 A,B,C,D



AG-BAG
INTERNATIONAL LTD

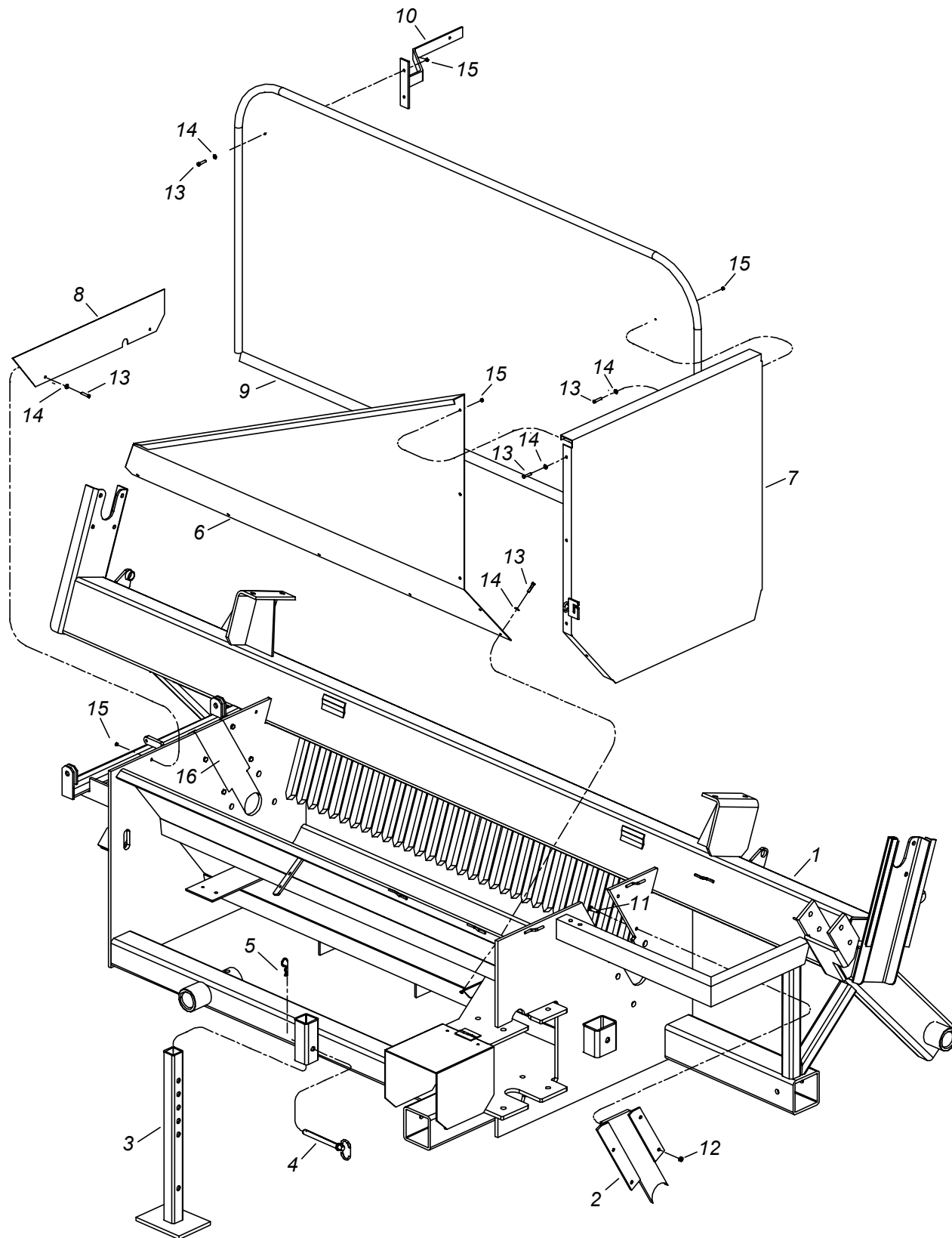
2320 SE AG-BAG LANE
WARRENTON, OR. 97146
INT'L (503) 861-1644
US 1-800-334-7432
FAX (503) 861-2527

PARTS



<i>FRAME GROUP</i>	2
<i>WHEEL GROUP</i>	4
<i>ROTOR GROUP</i>	6
<i>CABLE DRUM</i>	8
<i>TUNNEL (BAG BOOM OPTION)</i>	10
<i>CONVEYOR GROUP</i>	12
<i>BACKSTOP</i>	16
<i>HYDRAULICS (STANDARD)</i>	18
<i>HYDRAULICS OPTION PACKAGE (CABLE REWIND)</i>	20
<i>CABLE DRUM BRAKE ASSEMBLY</i>	22
<i>GANDY</i>	24
<i>MISCELLANEOUS</i>	26

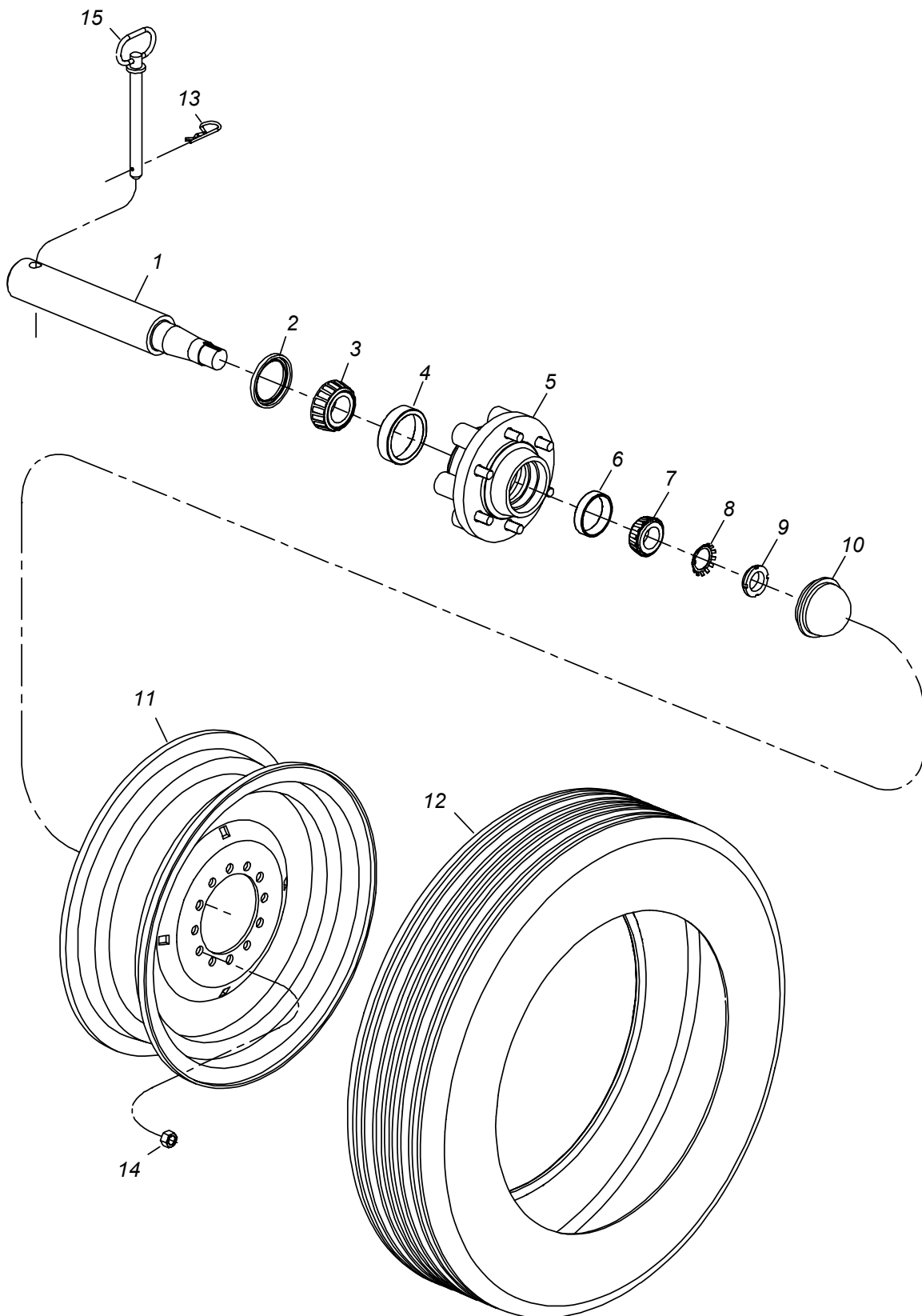
FRAME GROUP



FRAME GROUP

Item#	Part #	DESCRIPTION	Qty.	Remarks
1	6000001	Frame	1	
2	6000033	Access Plate, Rotor-Drive Side	1	
3	6012012	Stand, Jack	1	
4	1550172	Pin, Hitch	1	5/8" x 6-1/2"
5	1550169	Pin, Hair	1	5/32" x 2-15/16"
6	6012007	Panel, Hopper Front	1	
7	6012010	Panel, Hopper Right	1	
8	6012009	Panel, Hopper Left	1	
9	6012011	Plate, Face	1	
10	6006002	Stabilizer, Face Plate	1	
11	1550059	Capscrew, Hex Head	8	
12	1550147	Nut, Hex	8	3/8"-16 NC Nyloc
13	1550296	Capscrew, Hex Head	16	1/4"-20 NC x 1-1/4" G5
14	1550204	Washer, Flat	16	1/4" SAE
15	1550127	Nut, Hex	16	1/4"-20 NC Nyloc
16	6000036	Access Plate, Rotor-Conveyor Side	1	
17	6000117	Holder, Pto Shear Bolt (not shown)	1	
18	6000118	Holder, Cable Rewind Crank (not shown)	1	

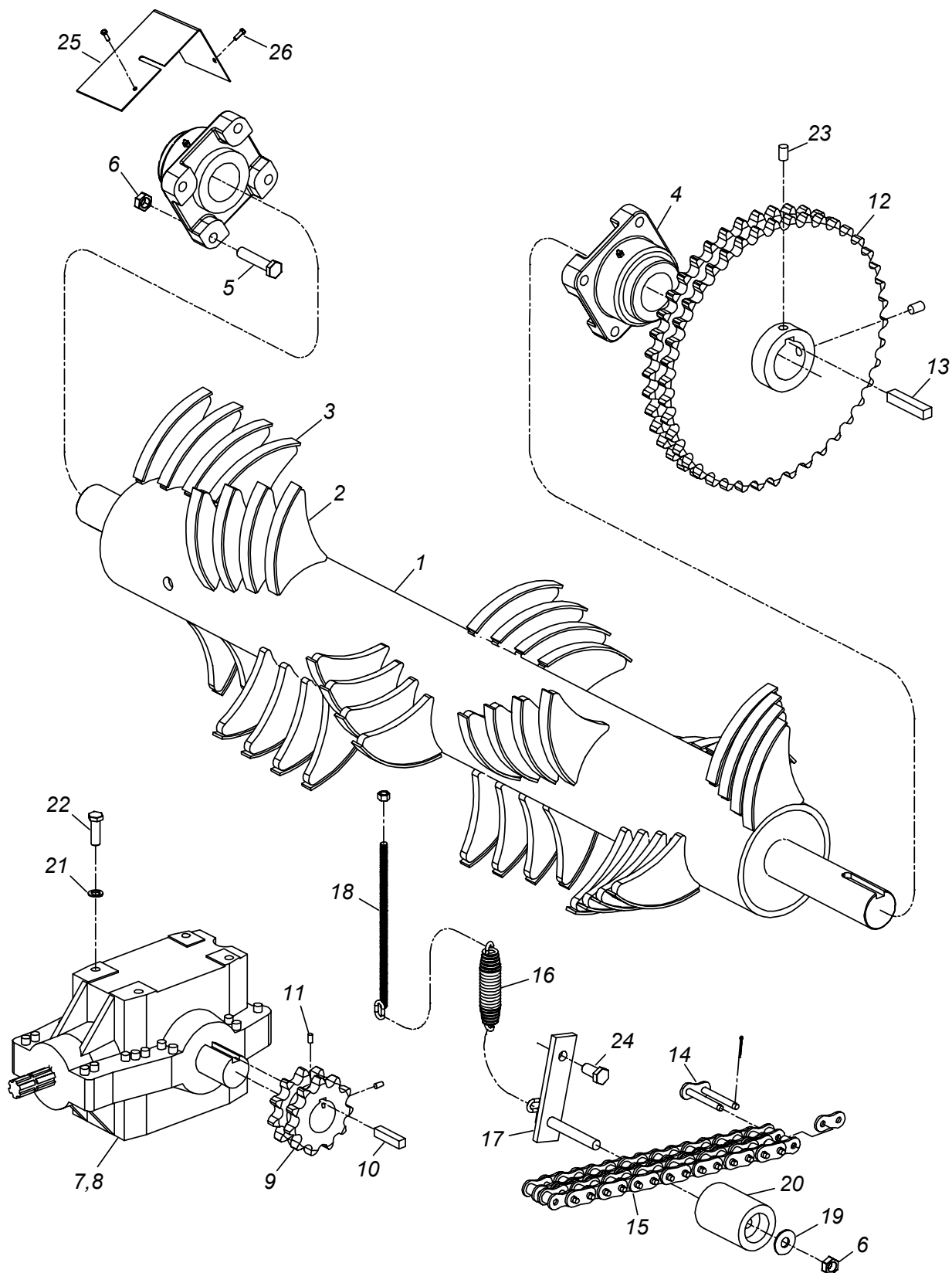
WHEEL GROUP



WHEEL GROUP

Item#	Part#	DESCRIPTION	Qty.	Remarks.
1	1010034	Spindle	2	2-1/4" x 14-7/8"
2	1500377	Seal, Oil	2	CR22368
3	1510090	Bearing, Roller Cone-Inner	2	JL69349
4	1510073	Bearing, Roller Cup-Inner	2	JL69310
5	1500182	Hub, Wheel w/out Washer, Nut, & Spindle	2	W887
6	1510093	Bearing, Roller Cup-Outer	2	LM67010
7	1510113	Bearing, Roller Cone-Outer	2	LM67048
8	1550228	Washer, Lock-External Tooth	2	W06
9	1550136	Nut, Lock	2	N06
10	1500070	Cap, Dust	2	
11	1500329	Rim	2	16LT x 6 6-Lug
12	1500551	Tire	2	7.5 x 16LT
	1500562	Tire With Rim	2	7.5 x 16LT 6-Lug
13	1550169	Pin, Hair	2	5/32" x 2-15/16"
14	1550309	Nut, Hub Lug	2	641-2024
15	1150171	Pin, Hitch	2	5/8" x 4-3/4"
16	1501374	Hub, Wheel with Spindle	2	W887

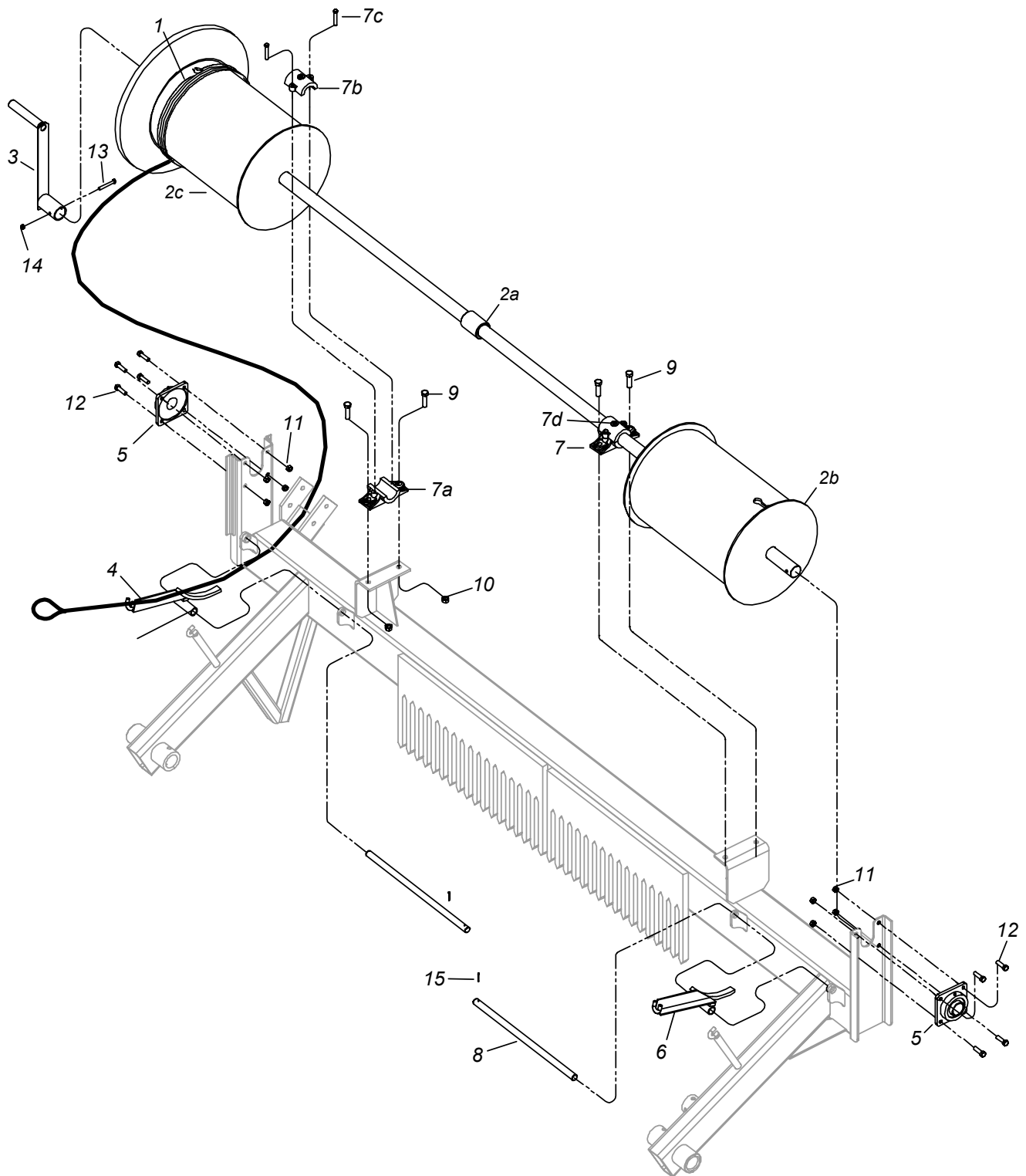
ROTOR GROUP



ROTOR GROUP

Item#	Part#	DESCRIPTION	Qty.	Remarks
1	6002003	Rotor	1	Complete
2	1020018	Tooth, Rotor with Tine Cap	48	1"
3	1020001	Cap, Tine	48	1" x 3/16" x 8-13/16"
4	1510024	Bearing	2	2-15/16" 4 Bolt Flange
5	1550047	Capscrew, Hex Head	8	3/4"-10 NC x 3-1/2" G5
6	1550128	Nut, Hex	8	3/4"-10 NC Nyloc
7	1520051	Gearbox	1	700 3:1 Single Output
8	1520050	Gearbox (Hydraulic Package)	1	700 3:1 Double Output
9	1520664	Sprocket	1	120-2A11 2-7/16 Bore
10	6002002	Key	1	5/8" x 5/8" x 2-3/4"
11	1550337	Set Screw	2	5/8" x 5/8"
12	1520124	Sprocket	1	120-2B42 2-15/16 Bore
13	4070028	Key	1	3/4" x 3/4" x 4"
14	1520068	Link, Roller Chain Connecting	1	120-2
15	1520005	Chain Roller	1	120-2 7 Ft.
16	1500483	Spring	1	Extension #661
17	6002006	Support, Chain Tensioner Lever	1	
18	6002010	Adjuster, Rotor Chain Tensioner	1	
19	1550205	Washer	1	3/4" Flat
20	6002007	Tensioner, Rotor Chain	1	UHMW
21	1550226	Washer	8	5/8" Split Lock
22	1550315	Capscrew, Hex Head	8	5/8"-11 NC x 2"
23	1550337	Set Screw	2	5/8" x 5/8"
24	1550043	Capscrew, Hex Head	1	3/4"-10 NC x 1-1/2" G5
25	6002028	Cover, Rotor Idle Bearing	1	
26	1550324	Screw, Self Tapping	2	1/4"

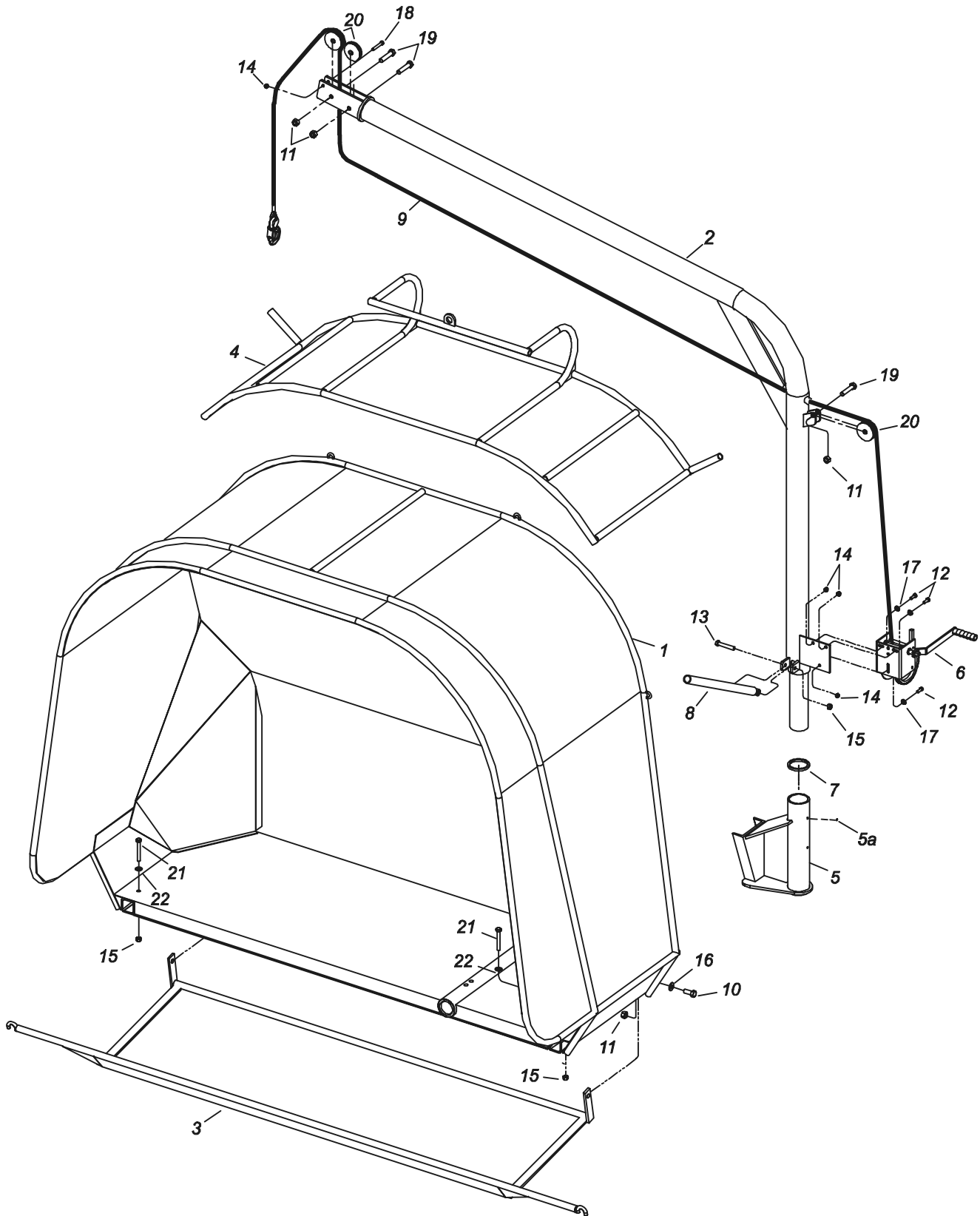
CABLE DRUM



CABLE DRUM

Item#	Part#	DESCRIPTION	Qty.	Remarks
1	1590002	Wire Rope, Cable Rewind	2	7/16" x 185'
2	6003029	Cable Drum Assembly 8-9'	1	
2a	6003021	Coupler, Cable Drum Weld	1	
2b	6003024	Cable Drum, Non Brake Side 8-9'	1	
2c	6003025	Cable Drum, Brake Side 8-9'	1	
3	1030017	Crank, Cable Rewind	1	
4	6003014	Shoe, Cable Rewind-Right	1	1"
5	1510044	Bearing	2	2" 4-Bolt Flange 5-1/8"BP
6	6003013	Shoe, Cable Rewind-Left	1	1"
7	1510047	Bearing	2	2" Split Babbit
7a	Ref.	Bearing, Split Base	Ref.	
7b	Ref.	Bearing, Split Top	Ref.	
7c	Ref.	Capscrew, Bearing Connector	Ref.	
7d	1541637	Fitting, Grease	2	1629-B 1/4" 67-1/2" Deg.
8	1030069	Shaft, Cable Rewind	2	1" x 24-1/8"
9	1550081	Capscrew, Hex Head	4	5/8"-11 NC x 2-1/4" G5
10	1550148	Nut, Hex	4	5/8"-11 NC Nyloc
11	1550126	Nut, Hex	8	1/2"-13 NC Lock
12	1550018	Capscrew, Hex Head	8	1/2"-13 NC x 1-1/4" G5
13	1550325	Capscrew, Hex Head PIN 1550161	1	3/8"-16 NC x 2-3/4"
14	1550147	Nut, Hex REPLACE WITH PIN	1	3/8"-16 NC Nyloc
15	1550326	Pin, Hair	2	1/8"

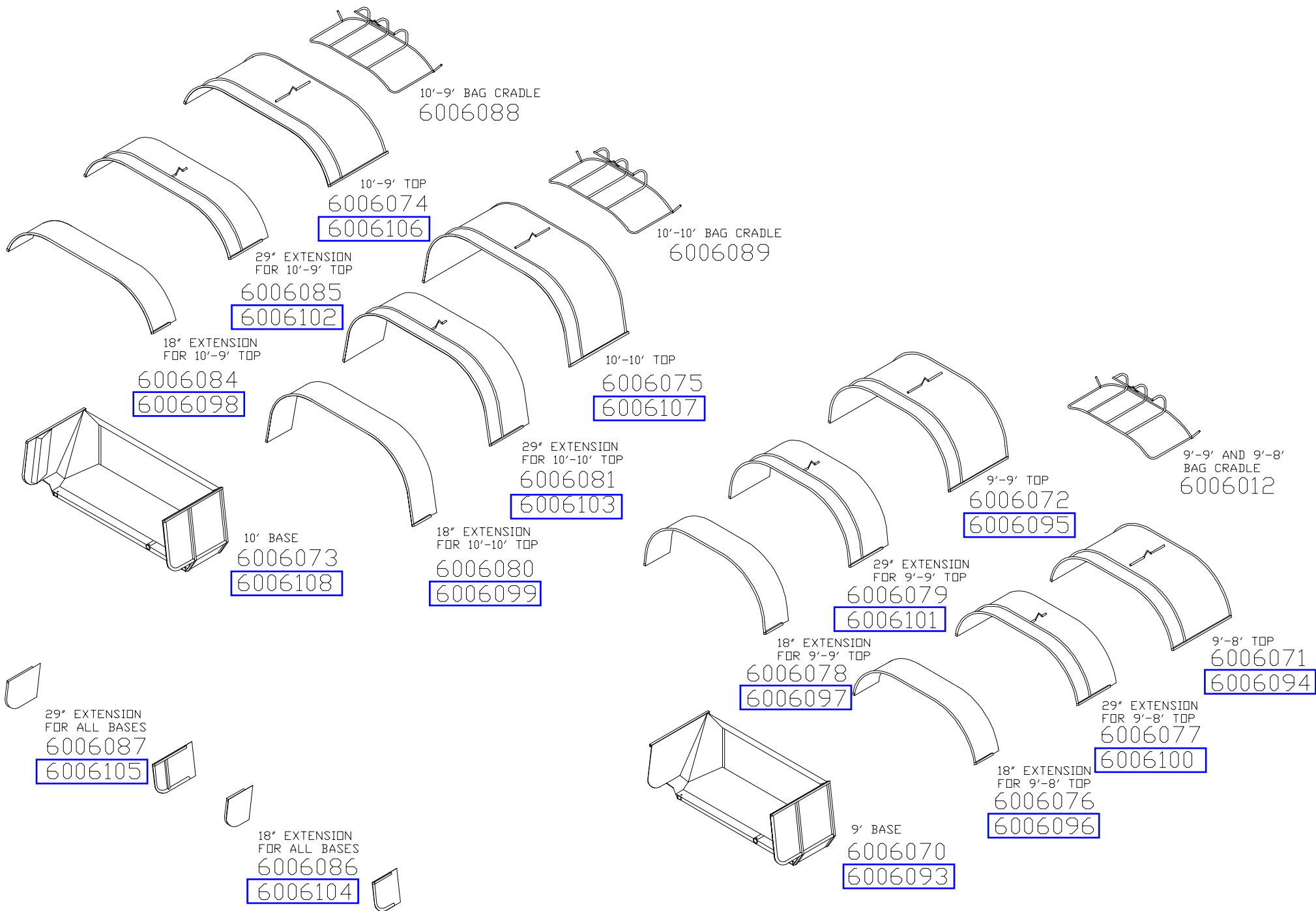
TUNNEL (BAG BOOM OPTION)



TUNNEL (BAG BOOM OPTION)

Item#	Part#	DESCRIPTION	Qty.	Remarks
1	6006066	Tunnel, 8' - Slopped Floor	1	
1	6006067	Tunnel, 9' - Slopped Floor	1	
2	6006001	Bag Boom Frame	1	
3	6006005	Pan, Bag	1	8' & 9'
4	6006012	Cradle, Bag Boom	1	8' & 9'
5	6006006	Socket, Bag Boom	1	
5a	1541638	Fitting, Gease	1	1610-BL 1/8" PTF x 11/16" STR
6	1500602	Winch, Manual	1	DL1802
7	1060039	Spacer, Bag Boom Bronze	1	2-15/16"
8	1060085	Bar, Bag Boom Turn	1	
9	1590010	Cable, With Hook	1	3/16" x 40'
10	1550076	Capscrew, Hex Head	2	5/8"-11 NC x 1-1/2" G5
11	1550148	Nut, Hex	4	5/8"-11 NC Nyloc
12	1550057	Capscrew, Hex Head	3	3/8"-16 NC x 1" G5
13	1550022	Capscrew, Hex Head	1	1/2"-13 NC x 3" G5
14	1550129	Nut, Hex	4	3/8"-16 NC Nyloc
15	1550145	Nut, Hex	3	1/2"-13 NC Nyloc
16	1550209	Washer, Flat	2	5/8"
17	1550206	Washer, Flat	3	3/8"
18	1550061	Capscrew, Hex Head	1	3/8"-16 NC x 2-1/2" G5
19	1550088	Capscrew, Hex Head	2	5/8"-11 NC x 3" G5
20	1060036	Pulley, Bag Boom	3	3-1/2" UHMW
21	1550012	Capscrew, Hex Head	2	1/2"-13 NC x 3-1/2" G5
22	1550202	Washer, Flat	2	1/2"

Interchangeable Tunnel Parts



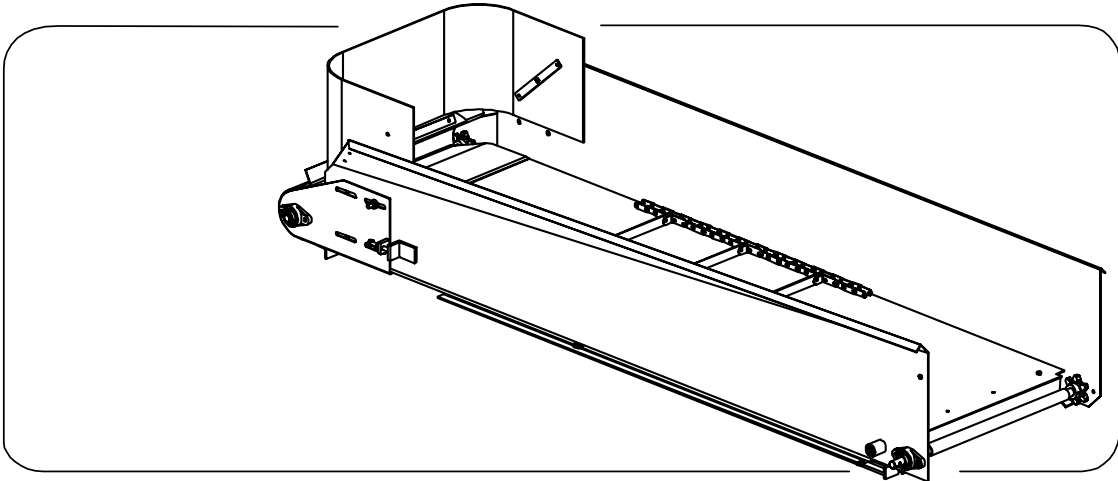
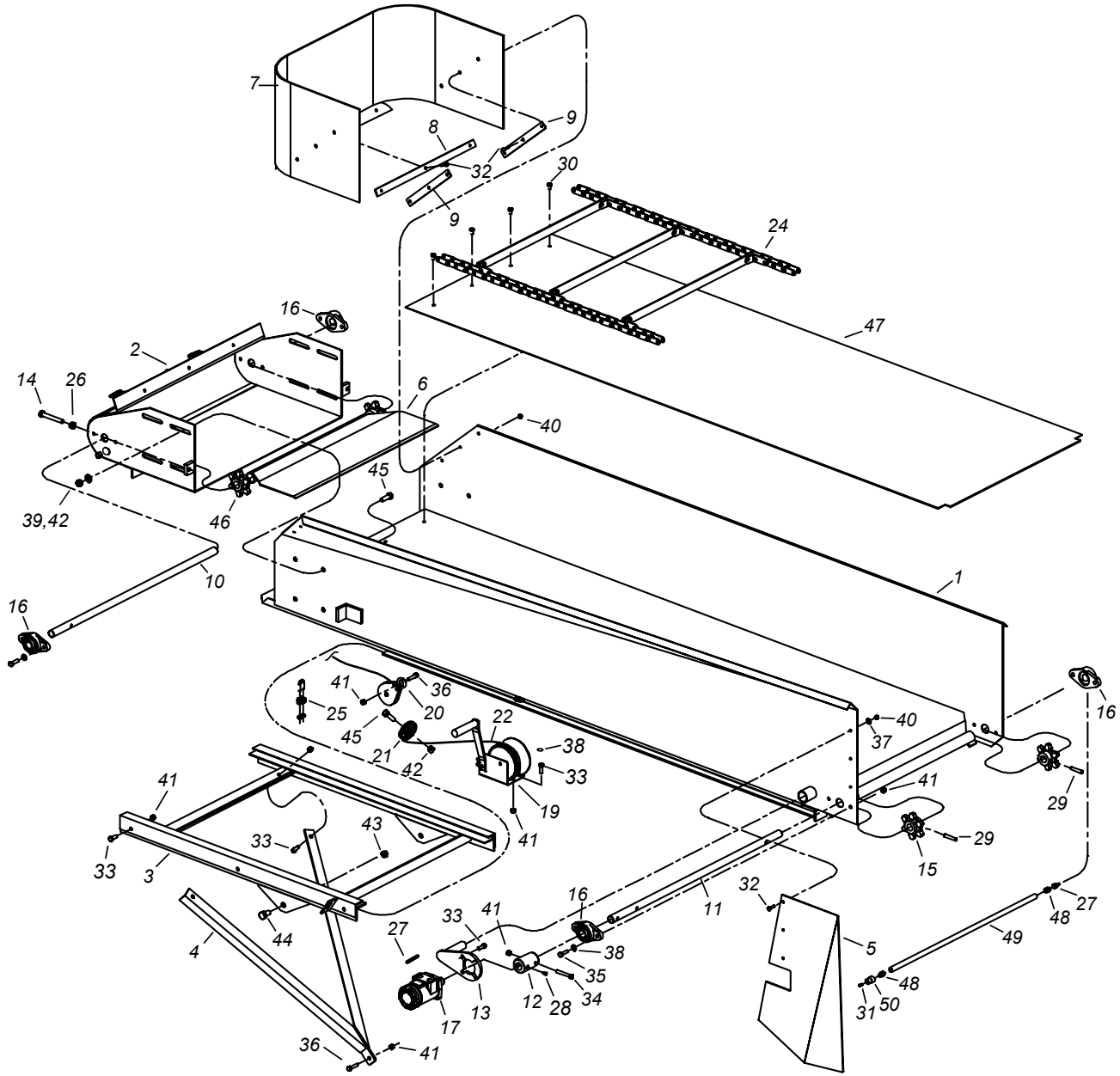
Interchangeable Tunnel Parts

6006089	CRADLE, 10' FOR 6009-10
6006012	CRADLE, 8' FOR 6008-9
6006088	CRADLE, 9' FOR 6009-10
6006076	EXTENSION, TUNNEL 6008-9 TOP 8 X 18
6006077	EXTENSION, TUNNEL 6008-9 TOP 8 X 29
6006078	EXTENSION, TUNNEL 6008-9 TOP 9 X 18
6006079	EXTENSION, TUNNEL 6008-9 TOP 9 X 29
6006086	EXTENSION, TUNNEL 6008-9-10 BASE 18
6006087	EXTENSION, TUNNEL 6008-9-10 BASE 29
6006080	EXTENSION, TUNNEL 6009-10 TOP 10 X 18
6006081	EXTENSION, TUNNEL 6009-10 TOP 10 X 29
6006084	EXTENSION, TUNNEL 6009-10 TOP 9 X 18
6006085	EXTENSION, TUNNEL 6009-10 TOP 9 X 29
6006070	TUNNEL BASE, 6008-9
6006073	TUNNEL BASE, 6009-10
6006075	TUNNEL TOP, 10' FOR 6009-10
6006071	TUNNEL TOP, 8' FOR 6008-9
6006072	TUNNEL TOP, 9' FOR 6008-9
6006074	TUNNEL TOP, 9' FOR 6009-10

Following parts are for tunnels using 90 deg. mounting flanges

6006093	TUNNEL BASE, 6060 FORMED FLANGES
6006094	TUNNEL TOP, 8' FOR 6060 FORMED FLANGES
6006095	TUNNEL TOP, 9' FOR 6060 FORMED FLANGES
6006096	EXTENSION, TUNNEL 6008-9 TOP 8 X 18 FORMED FLANGES
6006097	EXTENSION, TUNNEL 6008-9 TOP 9 X 18 FORMED FLANGES
6006098	EXTENSION, TUNNEL 6009-10 TOP 9 X 18 FORMED FLANGES
6006099	EXTENSION, TUNNEL 6009-10 TOP 10 X 18 FORMED FLANGES
6006100	EXTENSION, TUNNEL 6008-9 TOP 8 X 29 FORMED FLANGES
6006101	EXTENSION, TUNNEL 6008-9 TOP 9 X 29 FORMED FLANGES
6006102	EXTENSION, TUNNEL 6009-10 TOP 9 X 29 FORMED FLANGES
6006103	EXTENSION, TUNNEL 6009-10 TOP 10 X 29 FORMED FLANGES
6006104	EXTENSION, TUNNEL 6008-9-10 BASE 18 FORMED FLANGES
6006105	EXTENSION, TUNNEL 6008-9-10 BASE 29 FORMED FLANGES
6006106	TUNNEL TOP, 9' FOR 6070 FORMED FLANGES
6006107	TUNNEL TOP, 10' FOR 6070 FORMED FLANGES
6006108	TUNNEL BASE, 6070 FORMED FLANGES

CONVEYOR GROUP



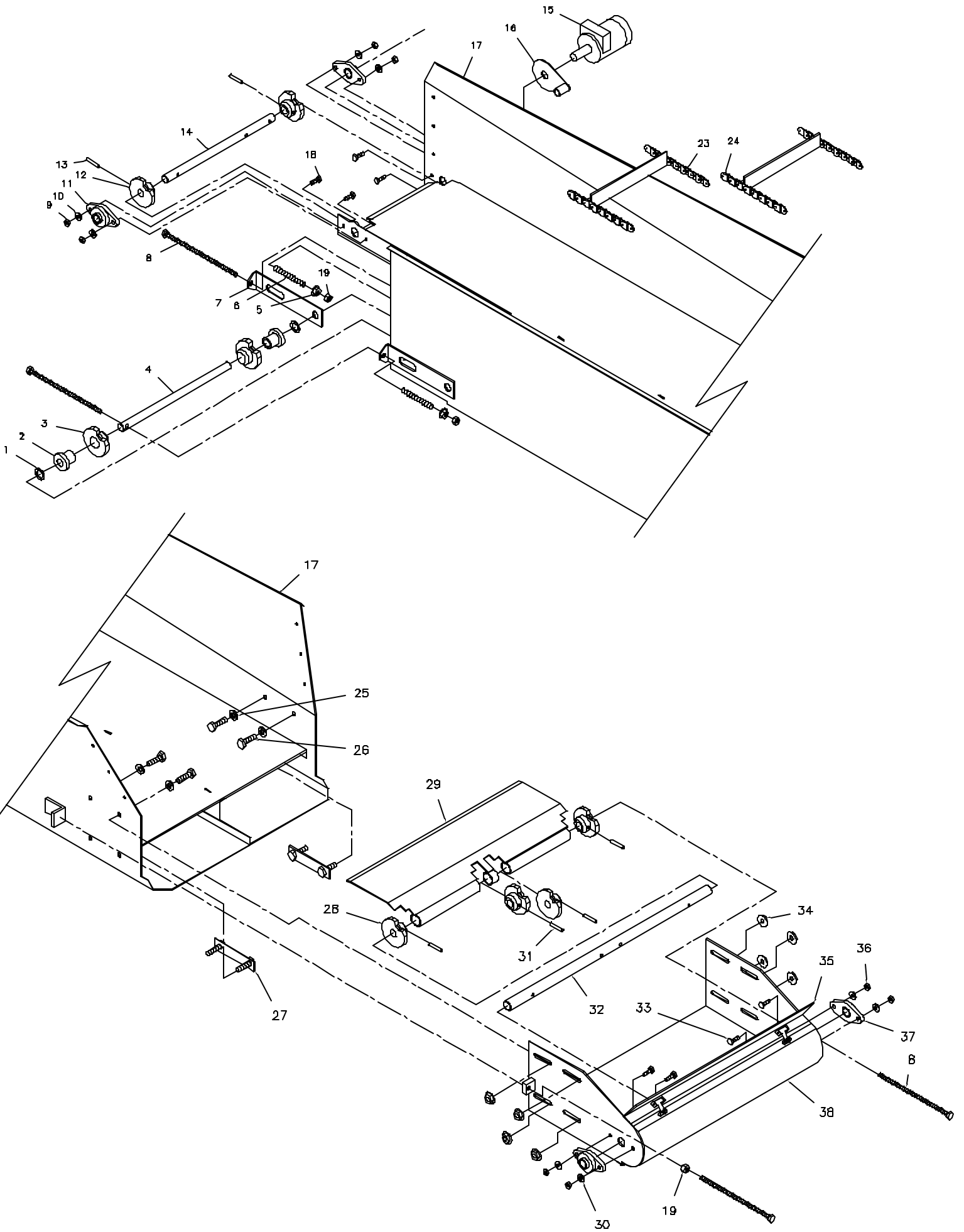
CONVEYOR GROUP

Item#	Part#	DESCRIPTION	Qty.	Remarks
1	6008003	Conveyor, Assembly	1	
2	6008024	Conveyor End, Adjusting	1	
3	6008007	Frame, Conveyor Track H	1	
4	6008006	Stabilizer, Conveyor Angle Adjustment	1	
5	6008013	Plate, Conveyor End Deflector	1	
6	6008027	Guard, Conveyor Tail Shaft	1	
7	6008052	Skirt, Conveyor	1	20 x 60
8	6008020	Strip, Conveyor Skirting Center	1	
9	1080004	Bracket, Skirting-Small	2	
10	6008017	Shaft, Conveyor Idle	1	1" x 34"
11	6008016	Shaft, Conveyor Drive	1	1" x 35-1/16"
12	6008004	Coupler, Conveyor Motor	1	2" O.D. x 1" I.D. x 3"
13	6008011	Mount, Hydraulic Motor	1	101 Series
14	1550328	Capscrew, Hex Head	2	1/2"-13 NC x 6"
15	1120219	Sprocket, Drive	2	N58 6 Tooth 1" Bore
16	1510020	Bearing, 2 Bolt Flange	4	1" Bore
17	1540898	Motor, Hydraulic (Models A & B)	1	101-1019
17a	1541780	Motor, Hydraulic (Models C, D, E & F)	1	101-1751
19	1500601	Winch, Manual	1	DL1100
20	1501314	Pulley, Swivel	1	3099T18 1/4"
21	1501279	Pulley	1	2-1/2" OD 1/4" Cable 5/8" ID W/ Bushing
22	1590040	Cable, Aircraft	1	1/4" x 15'
23	6008018	Slat, Conveyor Chain (Not Shown)	17	26-3/4"
24	1520318	Chain, Conveyor Complete	1	CA550 17 Slat
25	1590024	Clamp, Cable	1	1/4"
26	1550144	Nut, Hex	2	1/2"-13 Jam Nyloc
27	1540000	Adapter		1/8" NPT x 1/4"-28
28	1550192	Screw, Set	1	3/8" x 3/8"
29	1550181	Pin, Roll	2	3/8" x 2"
30	1550075	Capscrew, Hex Head	4	5/16"-18 NC x 3/4" G5
31	1541625	Fitting, Grease	1	1/4"-28 NF
32	1550027	Capscrew, Hex Head	12	1/4"-20 NC x 1" G5
33	1550057	Capscrew, Hex Head	8	3/8"-16 NC x 1" G5
34	1550061	Capscrew, Hex Head	1	3/8"-16 NC x 2-1/2" G5
35	1550059	Capscrew, Hex Head	8	3/8"-16 NC x 1-1/4" G5
36	1550058	Capscrew, Hex Head	2	3/8"-16 NC x 1-1/2" G5

(Con't next page)

CONVEYOR GROUP

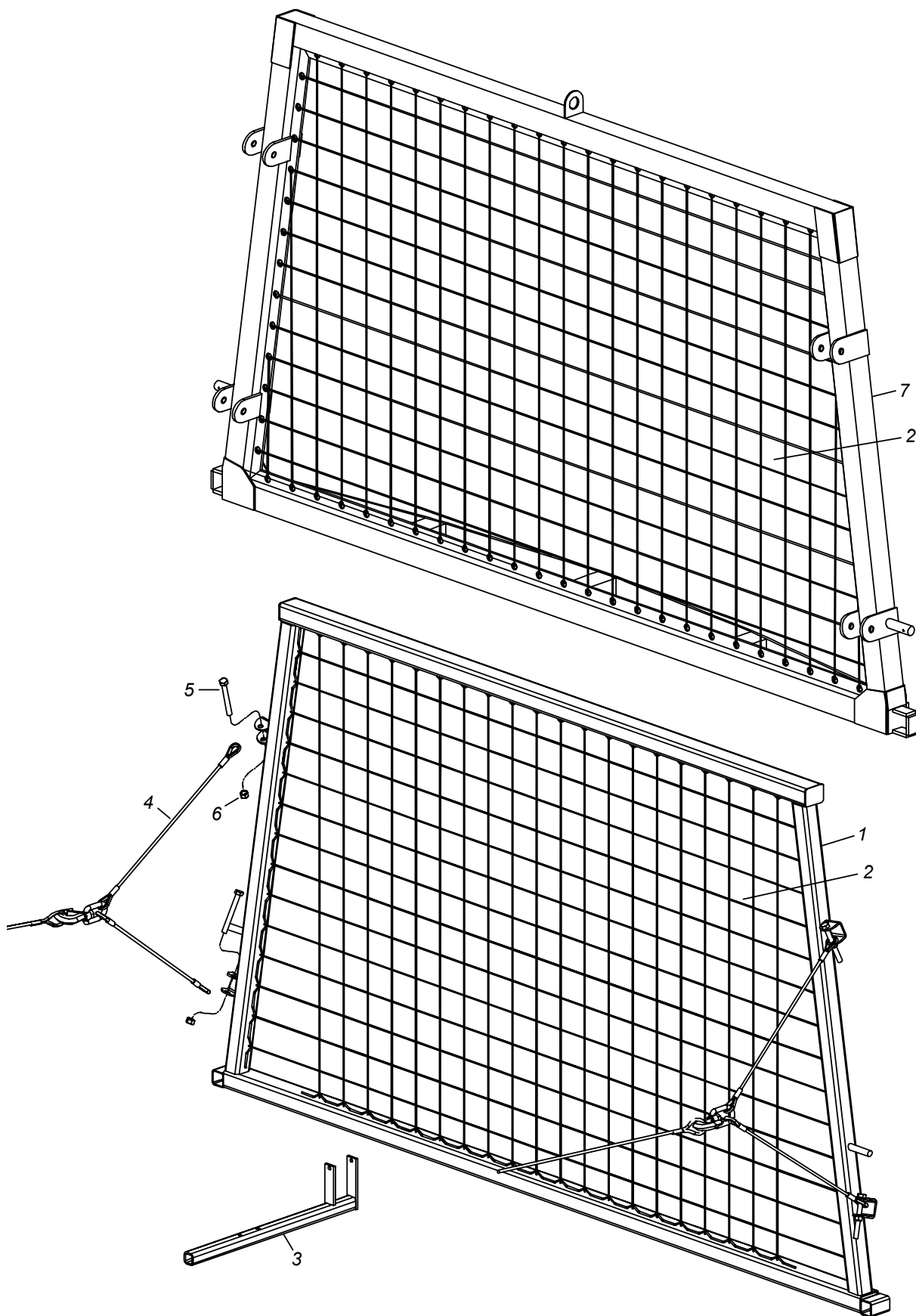
Item#	Part#	DESCRIPTION	Qty.	Remarks
37	1550204	Washer, Flat	12	1/4"
38	1550206	Washer, Flat	8	3/8"
39	1550202	Washer, Flat	8	1/2"
40	1550127	Nut, Hex	12	1/4"-20 NC Lock
41	1550129	Nut, Hex	19	3/8"-16 NC Lock
42	1550126	Nut, Hex	9	1/2"-13 NC Lock
43	1550148	Nut, Hex	2	5/8"-11 NC Nyloc
44	1550086	Capscrew, Hex Head	2	5/8"-11 NC x 1" G5
45	1550017	Capscrew, Hex Head	9	1/2"-13 NC x 1-1/2" G5
46	1120223	Sprocket, Idle	2	N58 6 Tooth 1"
47	1501324	Polyethelene, High Density	1	1/8" x 29-7/8" x 96"
48	1541593	Fitting, Brass Push Connect	2	268P-4-2
49	1541595	Hose	1	PT23004 38"
50	1541596	Coupler	1	1/8" Black Pipe



Split Conveyor

KEY	PART NO.	PART NAME	QTY	REMARKS
1	1550270	Washer, flat	2	SAE 1"
2	N/A	Bushing	2	Nylon 2-1/4" OD x 1"
3	N/A	Sprocket, idle - top	2	6T 1-7/16" bore
	6008083	Sprocket w/bushing	2	1-1/8"
4	6008085	Shaft, Idle - top	1	1" x 18-1/2"
5	N/A	Nut, flange	2	1/2-13 NC
6	6008086	Spring, compression	2	1" Dia. X 5"
7	6008080	Bracket	??	
8	6008087	Bolt, adjustment	4	1/2-13 nc x 12
9	N/A	Nut, hex	??	SIZE?
10	N/A	Washer, flat	??	SIZE?
11	N/A	Bearing, 2 bolt flange	2	1" bore
12	N/A	Sprocket, drive	2	6T 1" bore
13	1550181	Pin	2	3/8" x 2" spirial HBK
14	6008090	Shaft, drive - top	1	1" x 20"
15	1540898	Motor, hydraulic	ref	101-1019
	1541780	Motor, hydraulic	ref	101-1751
16	6008011	Mount, hydraulic motor	1	
17	6008084	Conveyor complete - split	1	
	6008076	Conveyor body (weldment)	ref	
18	N/A	Capscrew, hex	4	SIZE?
19	1550108	Nut, hex	4	1/2-13 NC
20	N/A	n/a		
21	N/A	n/a		
22	N/A	n/a		
23	6008078	Chain, split conveyor - short	1	(CA550, #PITCHES & SLATS)
24	6008077	Chain, split conveyor - long	1	(CA550, #PITCHES & SLATS)
25	N/A	Washer, flat	4	SAE 1/2"
26	N/A	Capscrew, hex	4	1/2-13 NC X LENGTH?
27	N/A	Bracket, adjusting end mount	2	
28	1520773	Sprocket, idle	4	6T 1-1/4" bore
29	6008089	Guard, conveyor chain - split	1	
30	N/A	Washer, flat	4	SIZE?
31	N/A	Pin	4	SIZE?
32	6008081	Shaft, conveyor intermediate	1	1-1/4" x 34-1/2"
33	N/A	Capscrew, hex	4	SIZE?
34	N/A	Nut, flange	8	SIZE?
35	6008079	Conveyor end, adjusting	1	
36	N/A	Nut, hex	4	SIZE?
37	6008088	Bearing, 2 bolt flange	2	1-1/4" bore
38	6008075	Door assembly, conveyor w/hooks	1	

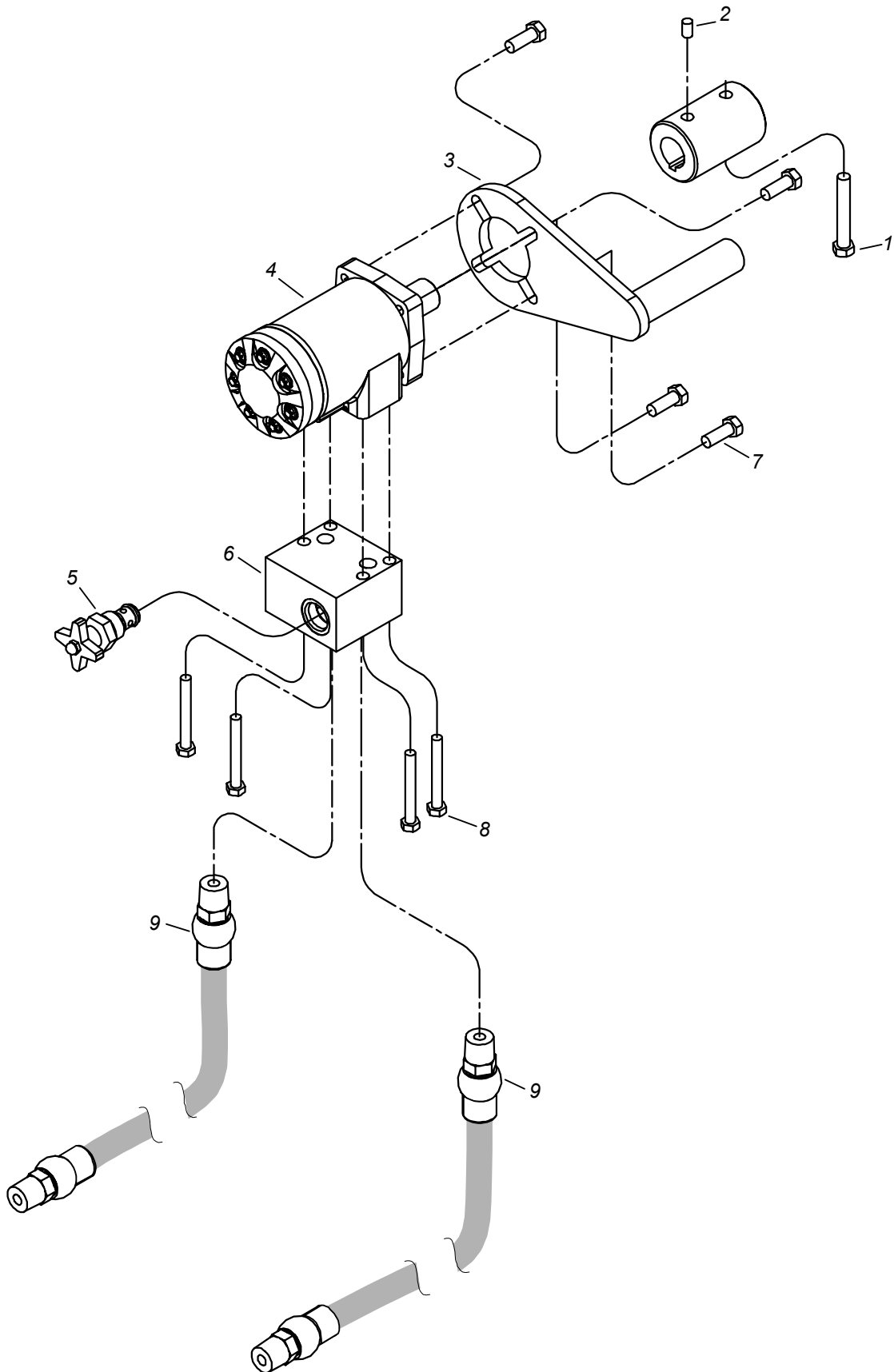
BACKSTOP



BACKSTOP

Item#	Part#	DESCRIPTION	Qty.	Remarks
1	1090014	Backstop, Frame, Steel 8 & 9 Foot	1	142B x 117T x 84H
2	1560005	Rope, Backstop	1	3/8" x 300'
3a	1060139	Support, Backstop Transport Locking	2	Aluminum Backstop
3b	1060049	Support, Backstop Transport Locking	2	Steel Backstop
3c	6006063	Support, Backstop Transport Locking	2	Steel Backstop Long
4	1500412	Sling, Backstop Cable	2	7/16" x 35"
5	1550042	Capscrew, Hex Head	4	3/4"-10 NC x 6-1/2" G5
6	1550128	Nut, Hex	4	3/4"-10 NC Nyloc
7	1090034	Backstop Frame, Aluminum	1	148B x 124T x 84H

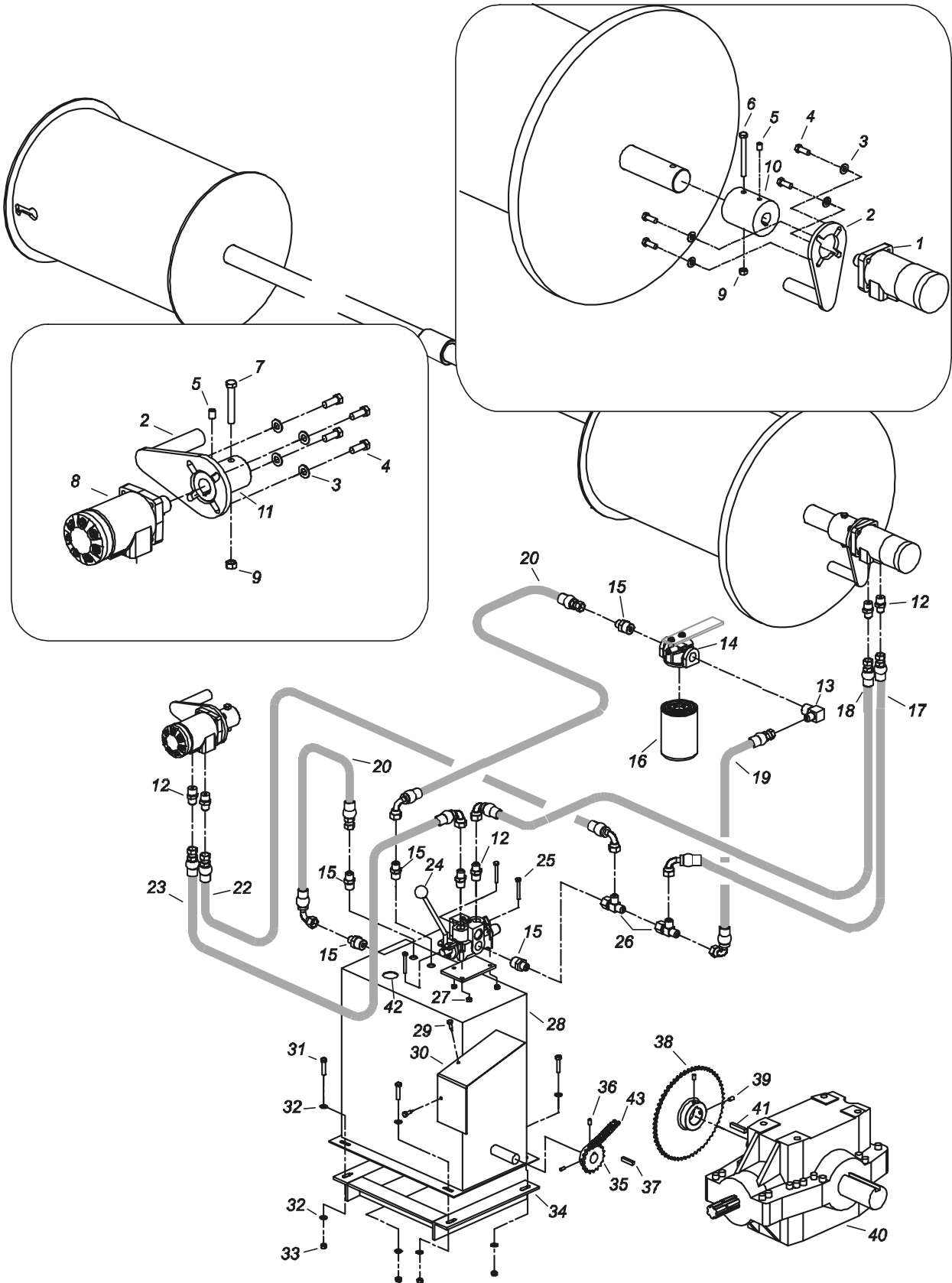
HYDRAULICS (STANDARD)



HYDRAULICS (STANDARD)

Item#	Part#	DESCRIPTION	Qty.	Remarks
1	1550061	Cap Screw, Hex Head	1	3/8"-16 UNC x 2-1/2"G5
2	1550335	Screw, Set	1	3/8" UNC x 1/2"
3	6008011	Mount, Hydraulic Motor (Conveyor)	1	
4	1540898	Motor, Hydraulic	1	Charlynn 101-1019
5	1540025	Valve, Pressure Control Relief	1	
6	1541237	Valve, Conveyor Motor Aluminum Body With Out Plug	1	
7	1550057	Cap Screw, Hex Head	4	3/8"-16 NC x 1" G5
8	1550073	Cap Screw, Hex Head	4	5/16"-18 x 2-1/2" G5
9	6010002	Kit, Hydraulic Hose	1	#1019

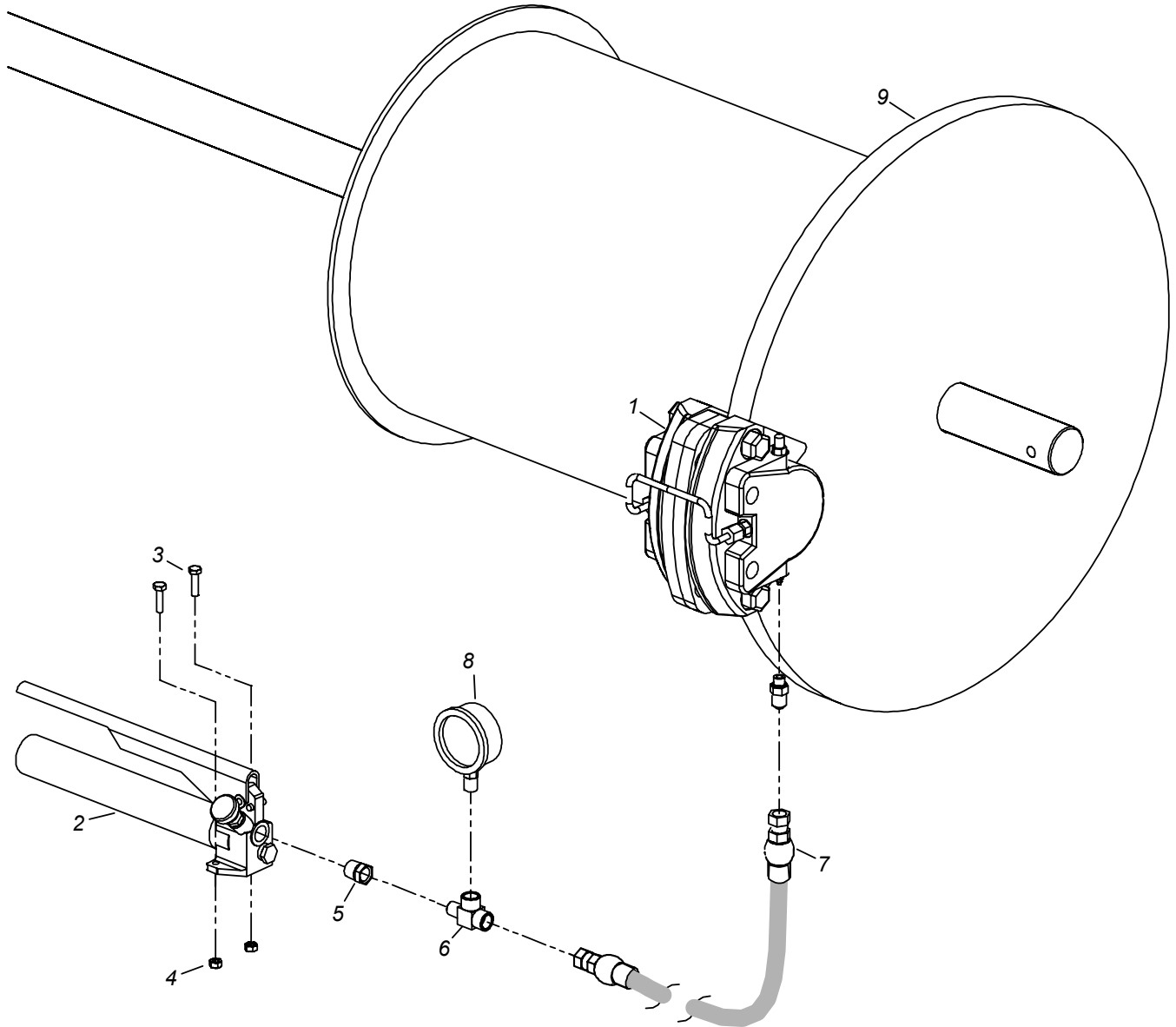
HYDRAULICS OPTION PACKAGE (CABLE REWIND)



HYDRAULICS OPTION PACKAGE (CABLE REWIND)

Item#	Part#	DESCRIPTION	Qty.	Remarks
1	1541054	Motor, Hydraulic	1	Charlynn 101-1272
2	6008011	Mount, Hydraulic Motor	2	101-Series
3	1550206	Washer, Flat	8	3/8" NOM
4	1550057	Cap Screw, Hex Head	8	3/8"-16 UNC x 1"G5
5	1550335	Screw, Set	2	3/8"-16 UNC x 1/2"
6	1550063	Cap Screw, Hex Head	1	3/8"-16 UNC x 3 1/2"G5
7	1550061	Cap Screw, Hex Head	1	3/8"-16 UNC x 2 1/2"G5
8	1540895	Motor, Hydraulic 1541780	1	Charlynn 101-1003 101-1751
9	1550147	Nut, Hex	2	3/8"-16 UNC Nyloc
10	1030014	Coupling, Cable Rewind	1	
11	6008004	Coupling, Conveyor Motor	1	2" O.D. x 1" I.D. x 3"
12	1541605	Fitting, Hydraulic 1541649	6	2404-8-8 6400-8-10
13	1541607	Fitting, Hydraulic	1	2501-8-12
14	1540166	Base, Filter	1	FPC3012NXAR4X
15	1541606	Fitting, Hydraulic	1	2404-8-12
16	1540167	Filter, Hydraulic Oil	1	FPE-30-25N
17	1541504	Hose Assembly 99"	1	8FLX3-8FJX-8FJX90M
18	1541504	Hose Assembly 108"	1	8FLX3-8FJX-8FJX90M
19	1541609	Hose Assembly 15"	1	8FLX3-8FJX-8FJX90M
20	1541503	Hose Assembly 15" (2 hoses)	1	8FLXP3-8FJX-8FJX90M
22	1541609	Hose Assembly 70"	1	8FLXP3-8FJX-8FJX90M
23	1541609	Hose Assembly 58"	1	8FLXP3-8FJX-8FJX90M
24	1541648	Valve, Brand	1	SDCF120-TM12-4FL1
25	1550030	Cap Screw, Hex Head	3	1/4"-20 UNC x 2"G5
26	1541608	Fitting, Hydraulic	2	6602-8
27	1550127	Nut, Hex	3	1/4"-20 UNC Lock
28	1541032	Pump, Hydraulic With Tank	1	50FR 4HQT 2800PSI
29	1550336	Screw	2	1/4" Self Tap x 1"
30	6012003	Guard, Hydraulic Pump Chain	1	
31	1550070	Cap Screw, Hex Head	4	5/16"-18 UNCx1 1/2"G5
32	1550208	Washer, Flat	8	5/16" NOM
33	1550130	Nut, Hex	4	5/16"-18UNC Lock
34	6012001	Mount, Hydraulic Pump Williams	1	
35	1520174	Sprocket	1	40BS18 1" Bore
36	1550262	Set Screw, Sprocket	2	3/8" x 1/4" SS
37	1120432	Key	1	1/4" x 1/4" x 2"
38	1520170	Sprocket	1	40B60 1 3/4" Bore
39	1550335	Set Screw, Sprocket	2	3/8" x 1/2" SS
40	1520050	Gearbox	1	Double Output 700 Series
41	6012005	Key	1	3/8" x 3/8" x 2"
42	1500686	Cap, Breather Williams Pump (Not Shown)	1	
43	1520011	Chain, Roller	1	40 RC 41" OAL
44	1541649	Fitting, Hydraulic (Not Shown)	2	6400-8-10
45	1541650	Fitting, Hydraulic (Not Shown)	2	6400-8-12

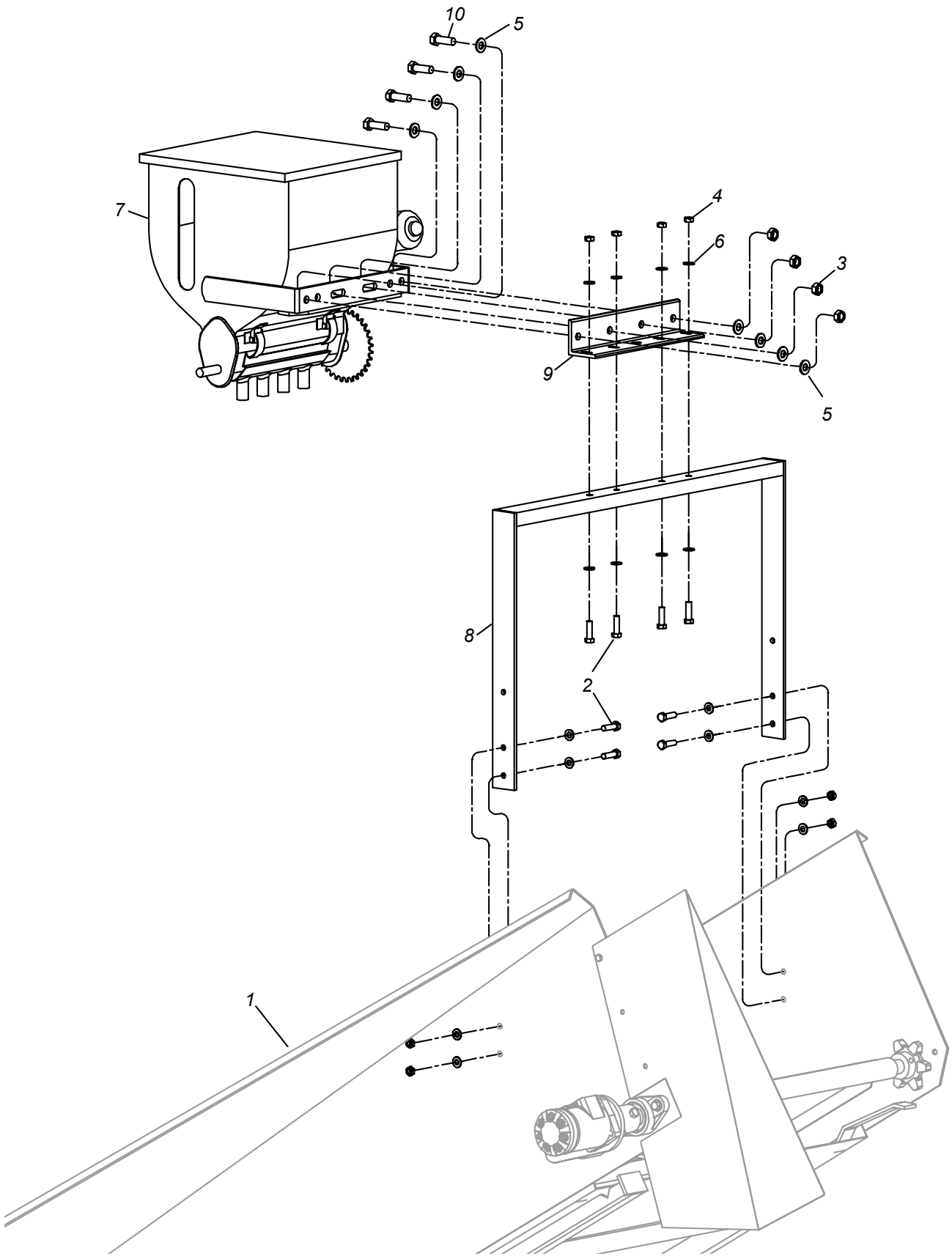
CABLE DRUM BRAKE ASSEMBLY



CABLE DRUM BRAKE ASSEMBLY

Item#	Part#	DESCRIPTION	Qty.	Remarks
1	1501348	Brake, Mico Disk	1	02-520-250
2	1541427	Pump, Hand	1	P23 Preset 3000 PSI
3	1550027	Capscrew, Hex Head	2	1/4"-20 UNC x 1" G5
4	1550127	Nut, Hex Lock	2	1/4"-20 UNC
5	1540379	Fitting, Hydraulic	1	C3069 X 4
6	1540481	Fitting, Hydraulic	1	C3759 x 4
7	1541282	Hose Assy, Hyd. Brake Pump 3/8" x 98+	2	H42504 X 96"
8	1500142	Gauge, Hydraulic Pressure	1	Liquid Sill 2000 PSI Side Mount
9	REF.	Cable Drum Assembly	1	
10	1541283	Fitting, Hydraulic	1	6400-06-04-0 BRNN Adapter
11	1500294	Pad, Brake (Not Shown)		Mico 29060008

GANDY



GANDY

Item#	Part#	DESCRIPTION	Qty.	Remarks
1	Ref.	Conveyor		
2	1550057	Cap Screw, Hex Head	8	3/8"-16 NC x 1" G5
3	1550108	Nut, Hex	4	1/2"-13 NC
4	1550114	Nut, Hex	8	3/8"-16 NC
5	1550202	Washer	8	1/2"
6	1550206	Washer	16	3/8"
7	1500005	Gandy Applicator	1	4-Hole
	1500004	Gandy Applicator	1	2-Hole
8	6012006	Mount, Gandy Applicator	1	
9	1120486	Bracket, Gandy Applicator	1	
10	1550018	Cap Screw, Hex Head	4	1/2"-13 NC x 1-1/4" G5

MISCELLANEOUS

MISCELLANEOUS

Item#	Part#	DESCRIPTION	Qty.	Remarks
1	6011009	Hitch, Field 8'-9'	1	Square Jack Socket
2	1550172	Pin, Hitch	1	5/8" X 6-1/2"
3	6002000	Guard, Rotor Chain	1	
4	1550324	Screw, Slotted Hex Head Self Tapping	8	#14 X 3/4"
5	1560000	Bungee Cord, Tunnel	1	
6	1560001	Bungee Cord, Bag Pan	2	
7	1500386	Shaft, PTO	1	8106116NNT07001
8	1550169	Pin, Hair	1	5/32" X 2-15/16"
9	6003000	Guard, Cable Drum Brake	1	
10	1501398	Jack, Manual 15" Square Mount	1	7000 lb. Capacity

End of Chapter